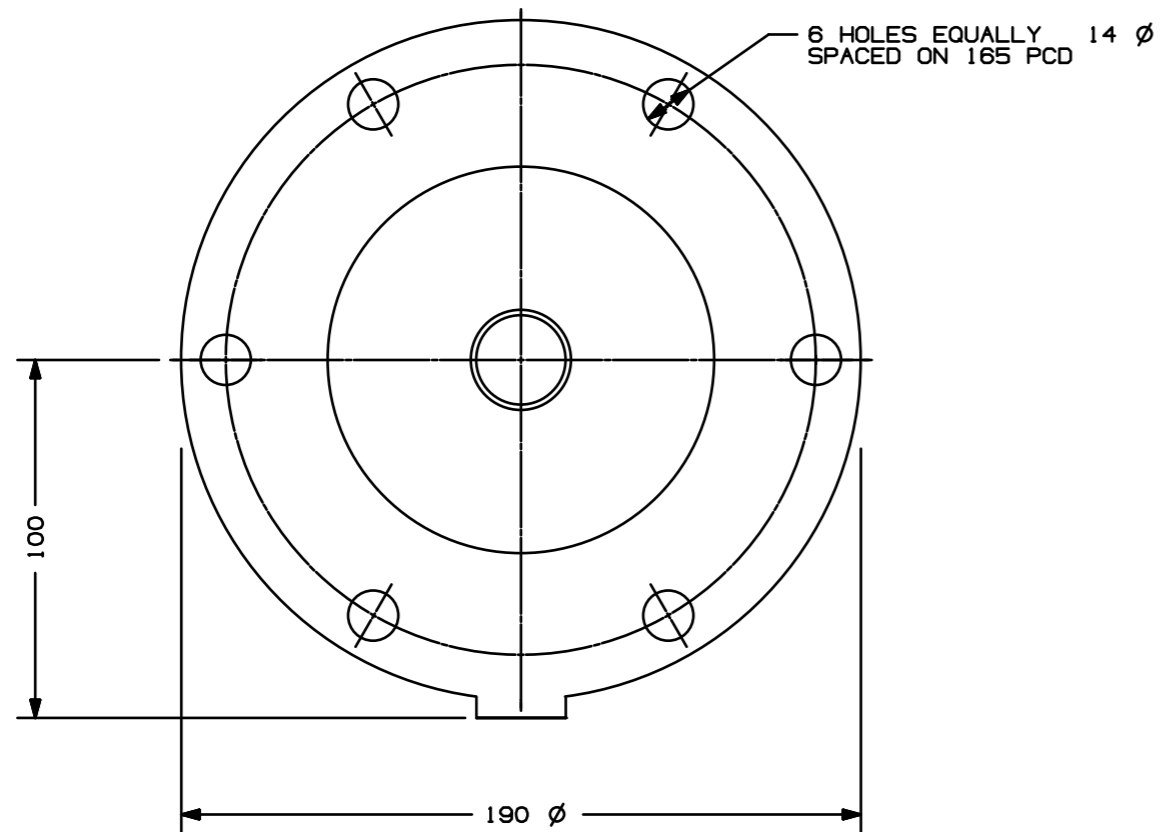



ISO VIEW



Material: Brass
Finish: Natural
All dimensions mentioned are in mm. Standard tolerance applicable

Title: Z BRASS WIPING GLAND	SHEET 1/1	SCALE Not to Scale	
Drawing No: AWZ/01/19			
DRAWN 01/01/2019			
CHECK			
APPR. NJG			
ISSUED			
REV			
CUSTOMER	6	7	8