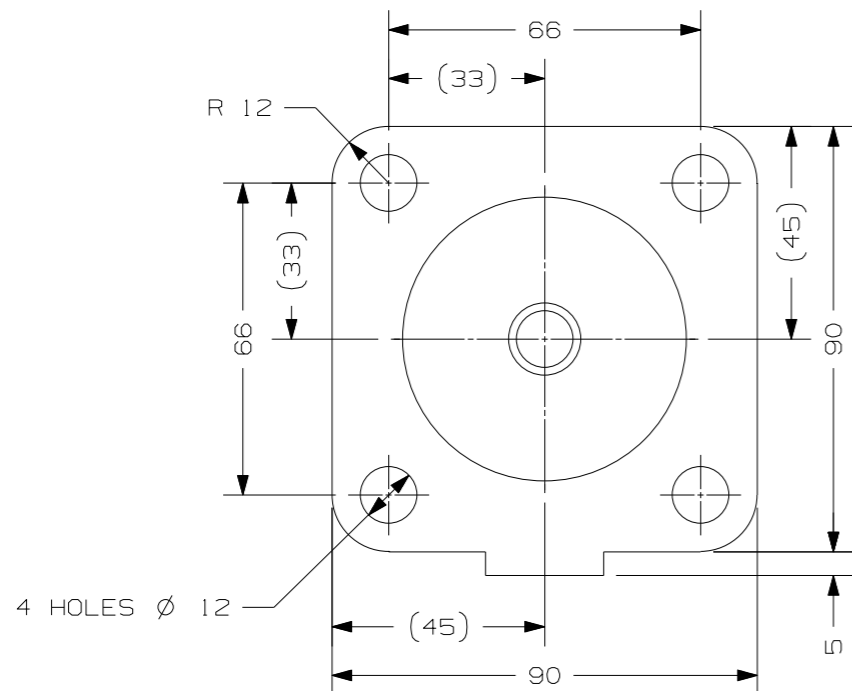



ISO VIEW



Material: Brass
 Finish: Natural
 All dimensions mentioned are in mm. Standard tolerance applicable

| | | |
|-----------------------------|---|--------------------|
| Title: X BRASS WIPING GLAND | SHEET 1/1 | SCALE Not to Scale |
| Drawing No: AWX/01/19 |  | |
| DRAWN 01/01/2019 | | |
| CHECK | | |
| APPR. NJG | | |
| ISSUED | | |
| REV | | |
| CUSTOMER | | |