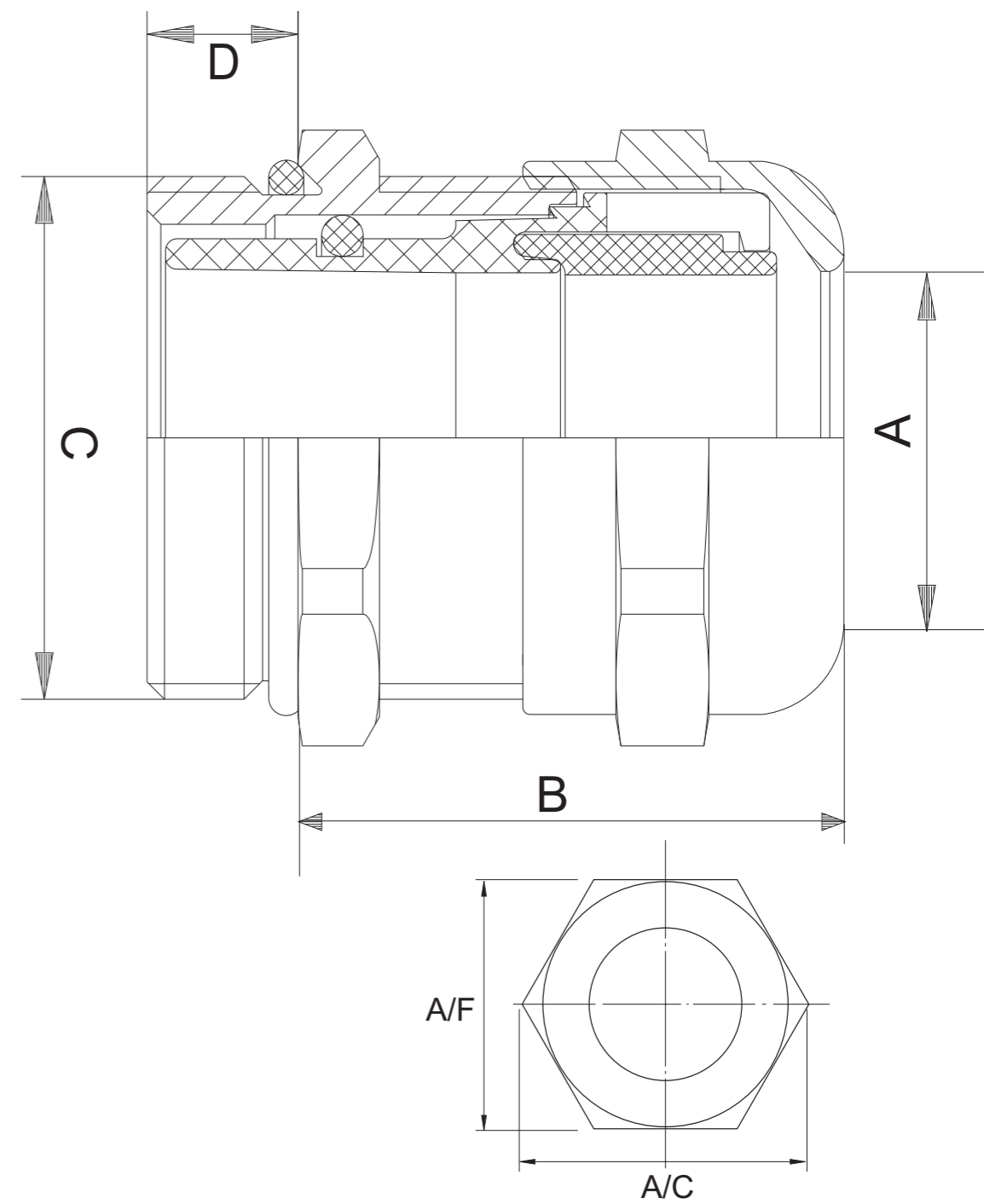



SIZE	OVERALL CABLE DIA		ISO ENTRY THREAD		PROTRU SION LENGTH APPROX F	HEXAGONAL SIZE		P/N
	A		DIA	LENGTH		A/F	A/C	
	MIN	MAX	C	D				
Pg7	3.5	7.3	Pg7	7	22	14	15.5	APG-7
Pg9	4	8.5	Pg9	8	25.5	17	19	APG-9
Pg11	5	10.5	Pg11	8	26.5	20	22	APG-11
Pg13.5	6	13.5	Pg13.5	10	28	22	24	APG-13.5
Pg16	10	14	Pg16	10	28	24	26.5	APG-16
Pg21	13	18.5	Pg21	10	32.5	30	33	APG-21
Pg29	18	25.5	Pg29	10	37.5	40	44	APG-29
Pg36	22	32.5	Pg36	10	40.5	50	55	APG-36
Pg42	32	39	Pg42	10	46	57	62	APG-42
Pg48	37	46	Pg48	10	46	64	72	APG-49



Material: Brass
 Finish: Natural
 All dimensions mentioned are in mm. Standard tolerance applicable

Title: PG INDUSTRIAL BRASS GLAND	SHEET 1/1	SCALE Not to Scale
Drawing No: APG/01/19		
DRAWN 01/01/2019		
CHECK		
APPR. NJG		
ISSUED		
REV		
CUSTOMER		