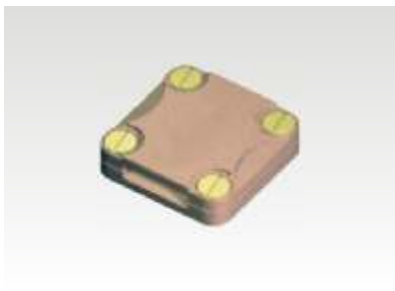


Earth Rods & Earthing Accessories

for Earthing



Copper Bonded Earth Rods

for Earthing

A-1 Electricals copper bonded earth rods offer installers the most economical method of achieving a low earth resistance.

Each rod has a high tensile strength .low carbon steel core.99.95% pure copper is applied electrolytically and forms a metallurgical bond between the steel core and the copper. This combination makes the rod ideal for deep driving whils also provides lasting resistance to corrosion.

The threads are formed by a cold rolling process which ensures strength and maintains the molecularly bonded copper covering along the full length of the threads. cold-rolled threads are stronger than cut-threads.

The standard copper thickness is 0.25 mm. greater copper thickness are also available.



Threaded Earth Rod

Nominal Size	Length MM	Thread Size (UNC-2A)	Shank D-MM	Per Box	Part No.
1/2"	1200	9/16"	12.7	5	ERCB912
	1500			5	ERCB915
	1800			5	ERCB918
	2400			5	ERCB924
5/8"	1200	5/8"	14.2	5	ERCB512
	1500			5	ERCB515
	1800			5	ERCB518
	2400			5	ERCB524
	3000			5	ERCB530
3/4"	1200	3/4"	17.2	5	ERCB312
	1500			5	ERCB315
	1800			5	ERCB318
	2400			5	ERCB324
	3000			5	ERCB330

Fittings

Size	Type	Per Box	Part No.
1/2"	ROUND COUPLING	20	ERRC12
5/8"		20	ERRC16
3/4"		20	ERRC18
1/2"	HEX COUPLING	15	ERHC12
5/8"		15	ERHC16
3/4"		15	ERHC18
1/2"	DRIVING STUD	25	ERDS12
5/8"		25	ERDS16
3/4"		25	ERDS18

Solid Copper & Stainless Steel Earth Rods

for Earthing

A-1 Electricals solid copper earth rods offer greater resistance to corrosion, they are ideally used in applications where soil conditions are very arressice, such as soils with high salt content.

Solid Copper Rod

Dia MM	L MM	Per Box	Part No.
15	1200	5	ERSC1512
	1500	5	ERSC1515
	3000	5	ERSC1530
20	1200	5	ERSC2012
	1500	5	ERSC2015
	3000	5	ERSC2030

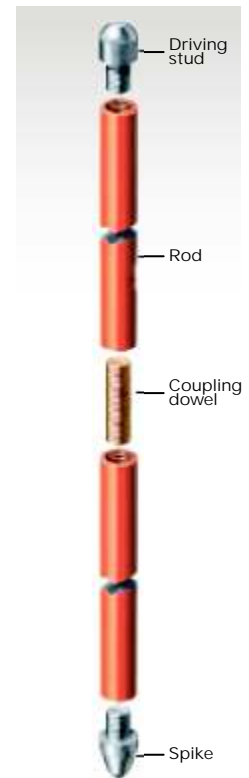
Stainless Steel Rod

Stainless steel rod are used to overcome many of the problems causes by galvanic corrosionn which can take place between dissimilar metals buried in close proximity. A-1 Electicals stainless steel earth rods are highly resistance to corrosion

Dia MM	L MM	Per Box	Part No.
15	1200	5	ERSS1512
15	1500	5	ERSS1515
15	3000	5	ERSS1530
20	1200	5	ERSS2012
20	1500	5	ERSS2015
20	3000	5	ERSS2030

Fittings

SIZE MM	L	Per Box	Part No.
15	DRIVING STUD	25	ERCD15
20		25	ERCD20
15	DRIVING SPIKE	25	ERCS15
20		25	ERCS20
10	COUPLING DOWEL	25	ERCC10
12		25	ERCC12

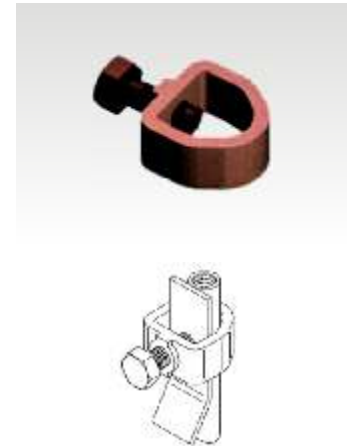


Earthing Fittings & Accessories

for Earthing

Earth Rod To Tape Clamp Type - A

Nominal Rod Diameter		Max Conductor	Per Box	Part No.
1/2"	12.7mm	26 x 12mm		
5/8"	16mm	26 x 12mm	10	
3/4"	20mm	26 x 10mm	10	
5/8"	16mm	30 x 2mm	10	ERA1630
3/4"	20mm	30 x 2mm	10	
5/8"	16mm	40 x 12mm	5	ERA1640
5/8"	16mm	51 x 8mm	5	ERA1650
3/4"	20mm	51 x 12mm	5	ERA2050
1/2"	12.7mm	26 x 20mm	5	ERA2525
5/8"	16mm	26 x 18mm	5	
3/4"	20mm	26 x 10mm	5	
1"	25mm	26 x 10mm	5	



Rod To Cable Clamps Type - G

Nominal Rod Diameter		Max Conductor	Per Box	Part No.
3/8"	9.5mm	6 - 35mm ²		
1/2"	12.5mm	16 - 50mm ²	20	ERG1250
5/8"	16mm	16 - 70mm ²	20	ERG1670
5/8"	16mm	16 - 95mm ²	15	ERG1695
3/4"	20mm	35 - 95mm ²	15	ERG2095
3/4"	20mm	35 - 120mm ²	15	ERG20120
1"	25mm	70 - 120mm ²	15	ERG25120



Earthing Fittings & Accessories

for Earthing

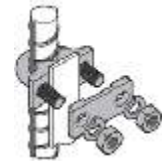
U Bolt Rod Clamps Type - E

Nominal Rod Diameter	Hole Centres	Tape Width	Per Box	Part No.
5/8"	37mm	-	5	URC16
3/4"	37mm	-	5	URC20
1"	37mm	-	5	URC25
1 ¼"	41mm	-	5	URC31
1½"	46mm	-	5	URC38
2"	64mm	-	5	URC50



U Bolt Rod to Tape Clamps Type - E

Nominal Rod Diameter	Hole Centres	Tape Width	Per Box	Part No.
5/8"	37mm	25mm	5	URCT25
3/4"	37mm		5	URCT25
1"	37mm		5	URCT25
1 ¼"	41mm	31mm	5	URCT31
1½"	46mm	38mm	5	URCT38
2"	64mm	50mm	5	URCT50



U Bolt Rod To Cable Clamps Type - GUV

Nominal Rod Diameter		Conductor Range	Per Box	Part No.
5/8"	16mm	16 - 95mm ²		
3/4"	20mm	16 - 70mm ²	5	URCC1695
5/8"	16mm	70 - 185mm ²	5	URCC16185
3/4"	20mm	70 - 150mm ²	5	URCC16185
5/8"	16mm	150 - 300mm ²	5	URCC16300
3/4"	20mm	150 - 300mm ²	5	URCC16300



Earthing Fittings & Accessories

for Earthing

Rod To Cable Lug Clamp Type - B

Nominal Rod Diameter		Rod Type	Bolt Size	Per Box	Part No.
3/8"	9.5mm	Copperbond	M8		
5/8"	16mm	Copperbond	M10	5	RCL10
5/8"	15mm	Solid Copper	M10	5	RCL16
3/4"	20mm	Copperbond	M10	5	RCL20
3/4"	20mm	Solid Copper	M10	5	RCL20

Split Connector Clamps

Split Connector clamps are used to connect cable lugs onto earth rods. The clamps are designed to suit our full range of earth rods.

For use with copperbond Earth rods (on rod thread)

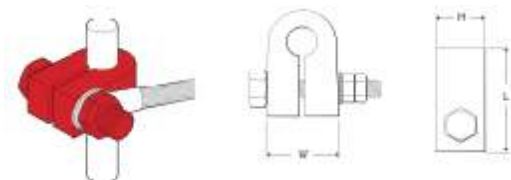
Nominal Rod Size	Thread Size (UNC2A)	L mm	W mm	H mm	Per Box	Part No.
5/8"	5/8"	42	26	26		
3/4"	3/4"	50	29	29	10	SPC20

For use with copperbond Earth rods (on rod shank)

Rod Shank MM	L mm	W mm	H mm	Per Box	Part No.
9.5	24	18	25		
14.2	42	25	25	10	SPC14

For use with solid copper & stainless steel earth rods (on rod shank)

Rod Shank MM	L mm	W mm	H mm	Per Box	Part No.
15	42	26	25		
16	42	26	25	10	SPCC16
20	50	29	29	10	SPCC20



Earthing Fittings & Accessories

for Earthing

Split Bolt Connectors

Conductor range mm ²	Dimensions in mm - B	Per Box	Part No.
10	4.5	100	SBC010
16	6	100	SBC016
25	6.9	80	SBC025
32 -35	8.1	50	SBC035
50	9.7	30	SBC050
70	11.2	25	SBC070
95	13.6	20	SBC095
100	14	15	SBC100
120	15	15	SBC120
150	16.6	10	SBC150
185	18.2	5	SBC185
240	21.4	5	SBC240
300	23.7	5	SBC300
400	26.2	2	SBC400
500	30.1	2	SBC500

Split Bolt Connectors R - Series

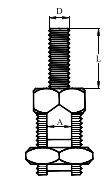
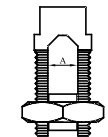
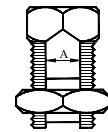
Conductor range mm ²	Dimensions in mm - B	Per Box	Part No.
16	5.3	100	SBR 16
25	6.9	80	SBR25
35	8.3	50	SBR35
50	9.5	30	SBR50
70	10.9	25	SBR70
95	12.9	20	SBR95
120	15	15	SBR120
150	16.6	10	SBR150
185	18.5	5	SBR185

Split Bolt Connectors - Servit Post

Conductor range mm ²	Dimensions in mm - A	Stud Size		Per Box	Part No.
		D	L		
25	6.6	M 10	30	100	SBS25
35	7.8	M 10	30	80	SBS35
50	9.8	M 12	30	50	SBS50
70	11.1	M 12	30	30	SBS70
95	14	M 12	30	25	SBS95
120	15.5	M 12	30	20	SBS120

Finish : Electro-Tinned / Untinned or Copper Plated

Note : For copper plated add suffix "C", for Tin Plated add Suffix "T"



Earthing Fittings & Accessories

for Earthing

Tapper Pointed Air Rod

Thread	Rod	Material	Per Box	Part No.
Size	Length			
M16	300	Cu & Alu	5	TP161
	500	Cu & Alu	5	TP162
	1000	Cu & Alu	5	TP163
	1500	Cu & Alu	5	TP164
	2000	Cu & Alu	5	TP165
M20	300	Cu & Alu	5	TP201
	500	Cu & Alu	5	TP202
	1000	Cu & Alu	5	TP203
	1500	Cu & Alu	5	TP204
	2000	Cu & Alu	5	TP205

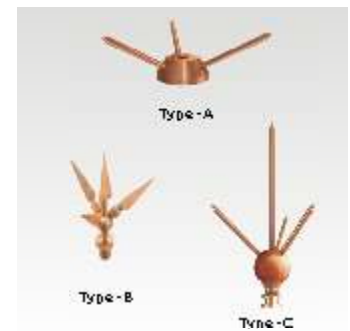


Elevation Rod

Thread	Rod	Material	Per Box	Part No.
Size	Length			
M16	300	Cu & Alu	5	ER161
	500	Cu & Alu	5	ER162
	1000	Cu & Alu	5	ER163
	1500	Cu & Alu	5	ER164
	2000	Cu & Alu	5	ER165
M20	300	Cu & Alu	5	ER201
	500	Cu & Alu	5	ER202
	1000	Cu & Alu	5	ER202
	1500	Cu & Alu	5	ER203
	2000	Cu & Alu	5	ER204

Multiple Points

Thread	Design	Material	Per Box	Part No.
Size	Type			
M16	Tapper - A	Copper	5	MPT16
	Spike - B	Copper	5	MPS16
	Hollow - C	Copper	5	MPH16
M20	Tapper - A	Copper	5	MPT20
	Spike - B	Copper	5	MPS20
	Hollow - C	Copper	5	MPH20



Material : Copper add suffix "C", for Alluminium add Suffix "A"

Finish : Electro-Tinned / Untinned or Copper Plated

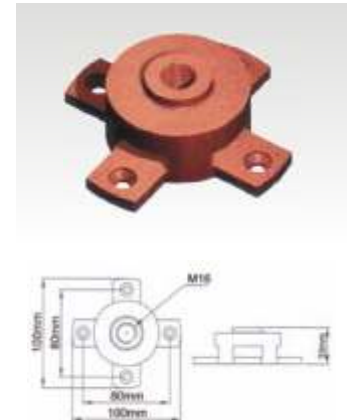
Note : For copper plated add suffix "C", for Tin Plated add Suffix "T"

Earthing Fittings & Accessories

for Earthing

Air Base Terminal

Thread	Max. Conductor	Material	Per Box	Part No.
Size	Width			
M16	25 mm	Copper	5	ABT161
	25 mm	Alluminium	5	ABT162
M20	25 mm	Copper	5	ABT201
	25 mm	Alluminium	5	ABT202



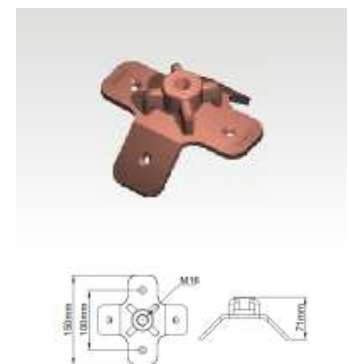
Flat Air Rod Saddle

Thread	Max. Conductor	Material	Per Box	Part No.
Size	Width			
M16	31 mm	Copper	5	ATS16
	31 mm	Alluminium	5	ATSA16
M20	31 mm	Copper	5	ATS20
	31 mm	Alluminium	5	ATSA20



Ridge Saddle

Thread	Max. Conductor	Material	Per Box	Part No.
Size	Width			
M16	31 mm	Copper	2	RS016
	31 mm	Alluminium	2	RSA16
M20	31 mm	Copper	2	RS020
	31 mm	Alluminium	2	RSA20



Earthing Fittings & Accessories

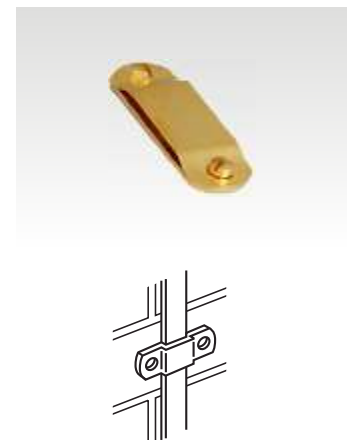
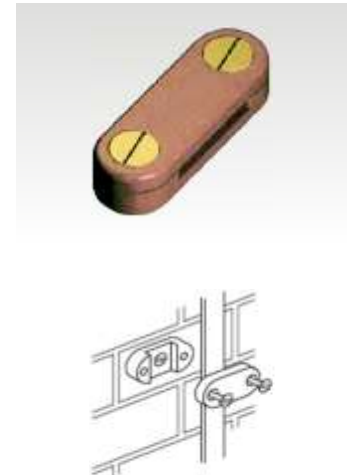
for Earthing

DC Tape Clip

Conductor Size - mm	Conductor Material	Per Box	Part No.
25 x 3	Copper	20	DC253
25 x 6		20	DC256
31 x 3		20	DC313
31 x 6		20	DC313
38 x 3		20	DC383
38 x 6		20	DC386
40 x 4		20	DC404
40 x 6		20	DC406
50 x 3		20	DC503
50 x 6		20	DC506
25 x 3		Alluminium	20
25 x 6	20		DCA256
31 x 3	20		DCA313
31 x 6	20		DCA316
38 x 3	20		DCA383
38 x 6	20		DCA386
40 x 4	20		DCA404
40 x 6	20		DCA406
50 x 3	20		DCA503
50 x 6	20		DCA506
25 x 3	Naval Brass Forged	20	DCF253
25 x 6		20	DCF256
31 x 3		20	DCF313
31 x 6		20	DCF316
38 x 3		20	DCF383
38 x 6		20	DCF386
40 x 4		20	DCF404
40 x 6		20	DCF406
50 x 3		20	DCF503
50 x 6		20	DCF506
NEW 25 x 3	Copper	20	DCN253
NEW 31 x 3		20	DCN313
NEW 50 x 6		20	DCN506

Tape Clip

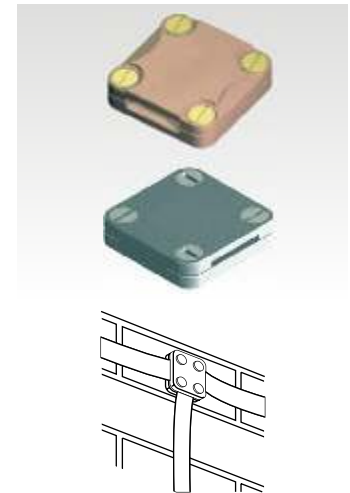
Conductor Size - mm	Conductor Material	Per Box	Part No.
25 x 3	Brass	50	TCT253
31 x 3		50	TCT313
50 x 6		50	TCT506
25 x 3	Alluminium	50	TCA253
31 x 3		50	TCA313
50 x 6		50	TCA506



Earthing Fittings & Accessories

for Earthing

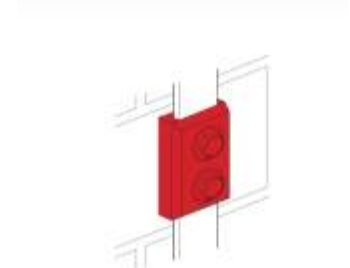
Conductor Size - mm	Conductor Material	Per Box	Part No.
25 x 3	Copper	10	STC 253
25 x 6		10	STC 256
31 x 3		5	STC 313
38 x 6		5	STC 386
50 x 6		5	STC 506
25 x 3	Alluminium	10	STCA253
25 x 6		10	STCA256
31 x 3		5	STCA313
38 x 6		5	STCA386
50 x 6		5	STCA506
25 x 3	Naval Brass Forged	10	STCF253
25 x 6		10	STCF256
31 x 3		5	STCF 313
38 x 6		5	STCF386
50 x 6		5	STCF506
NEW 25 x 3	Copper	10	STCN253
NEW 31 x 3		5	STCN313
NEW 50 x 6		5	STCN506



NEW

Oblong Taste Clamp

Conductor Size - mm	Conductor Material	Per Box	Part No.
26 x 8	Copper	5	OTC26
38 x 10		5	OTC38
50 x 10		5	OTC50
26 x 8	Alluminium	5	OTCA26
38 x 10		5	OTCA38
50 x 10		5	OTCA50



Earthing Fittings & Accessories

for Earthing

Rod diameter	Rod Material	Per Box	Part No.
15mm	Copper	5	RBO15
15mm	Aluminium	5	RBA15



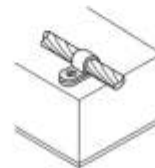
Rod To Cable Coupling

Rod diameter	Thread diameter	Conductor Size	Conductor Material	Per Box	Part No.
15mm	16mm	50 - 70mm ²	Copper	5	RCC70
15mm	16mm	95mm ²	Copper	5	RCC95



One Hole Cable Clip

Conductor Size	Conductor Material	Per Box	Part No.
50mm ²	Copper	25	HCC50
70mm ²	Copper	25	HCC70
95mm ²	Copper	25	HCC95



Square Tape to Cable Clamp

Conductor Size	Conductor Material	Per Box	Part No.
25 x 3 to 50mm ²	Copper	10	STCC50
25 x 3 to 70mm ²	Copper	10	STCC70
25 x 3 to 95mm ²	Copper	10	STCC95

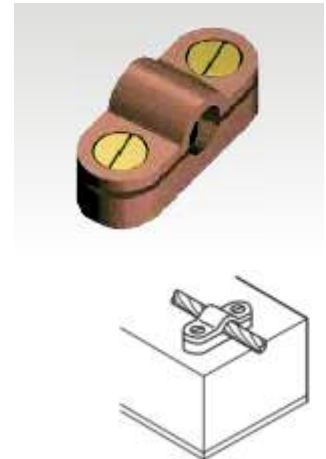


Earthing Fittings & Accessories

for Earthing

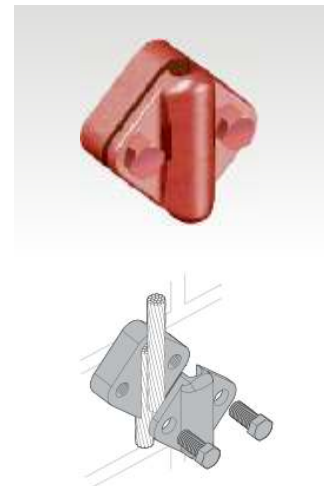
Heavy Duty Cast Cable Saddle

Conductor Size	Conductor Material	Per Box	Part No.
35mm ²	Copper	15	HDS35
50mm ²	Copper	15	HDS50
70mm ²	Copper	15	HDS70
95mm ²	Copper	15	HDS95
120mm ²	Copper	15	HDS120



Test Clamp

Conductor Size	Conductor Material	Per Box	Part No.
50mm ²	Copper	5	TC50
70mm ²	Copper	5	TC70
95mm ²	Copper	5	TC95



Square Conductor Clamp

Conductor Size	Conductor Material	Per Box	Part No.
50mm ²	Copper	5	SC50
70mm ²	Copper	5	SC70
95mm ²	Copper	5	SC95

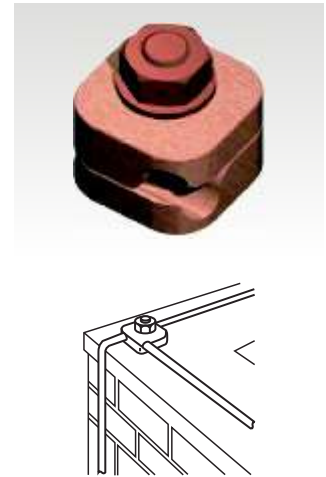


Earthing Fittings & Accessories

for Earthing

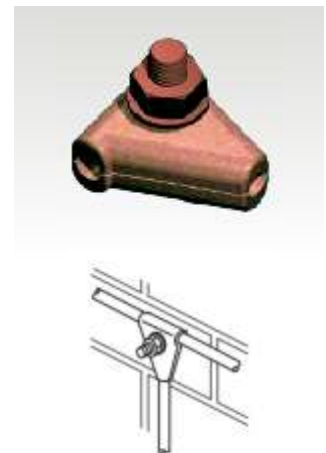
Square Clamp

Conductor diameter	Conductor Material	Per Box	Part No.
8mm	Copper	10	SCC08
8mm	Aluminium	10	SCA08



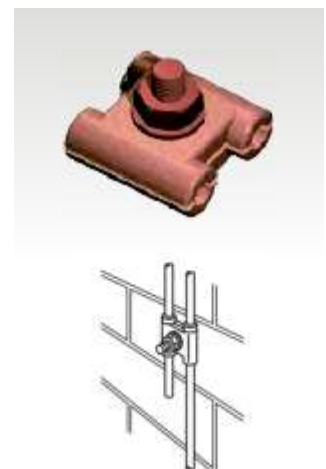
Tee Clamp

Conductor diameter	Conductor Material	Per Box	Part No.
8mm	Copper	10	TCC08
8mm	Aluminium	10	TCA08



Jointing Clamp

Conductor diameter	Conductor Material	Per Box	Part No.
8mm	Copper	10	JCC08
8mm	Aluminium	10	JCA08

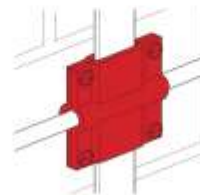


Earthing Fittings & Accessories

for Earthing

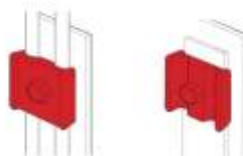
Solid Circular To Tape Connectors

Conductor diameter	Conductor Material	Per Box	Part No.
8 & 25 x 3mm	Copper	10	SCT08
8 & 25 x 3mm	Aluminium	10	SCTA08



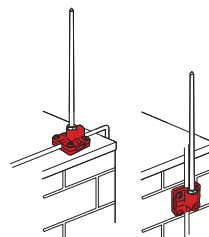
Multi-purpose 'b' Bonds

Conductor diameter	Conductor Material	Per Box	Part No.
8 & 25 x 3mm	Copper	10	MPB08
8 & 25 x 3mm	Aluminium	10	MPBA08



Multi Purpose Air Rod Saddles

Thread Size	Conductor Material	Per Box	Part No.
10mm	Copper	5	MT10
10mm	Aluminium	5	MTA10



Earthing Fittings & Accessories

for Earthing

Earth Plate - Solid

Size	Total	Per Box	Part No.
	Surface area		
600 x 600 x 1.5mm	0.72m ²	1	EP615
900 x 900 x 1.5mm	1.63m ²	1	EP915
600 x 600 x 3mm	0.73m ²	1	EP603
900 x 900 x 3mm	1.63m ²	1	EP903



Earth Plate - Lattice Copper

Description	Total	Per Box	Part No.
	Surface area		
600 x 600 x 3mm	0.31m ²	1	EPL600
900 x 900 x 3mm	0.65m ²	1	EPL900



Earth Rod Seal

Description	Per Box	Part No.
Single Flanged Earth Rod Seal (For most Application)	1	ERS01
Double Flanged Earth Rod Seal (For deep concrete slab-layers)	1	ERS02



Material: High Performance Polymer

Flexible Copper Braid Bond

Overall Braid dimensions	Hole Size	Hole centres	Per Box	Part No.
25 x 3.5mm	11mm	200mm		
25 x 3.5mm	11mm	400mm	12	FCB400

