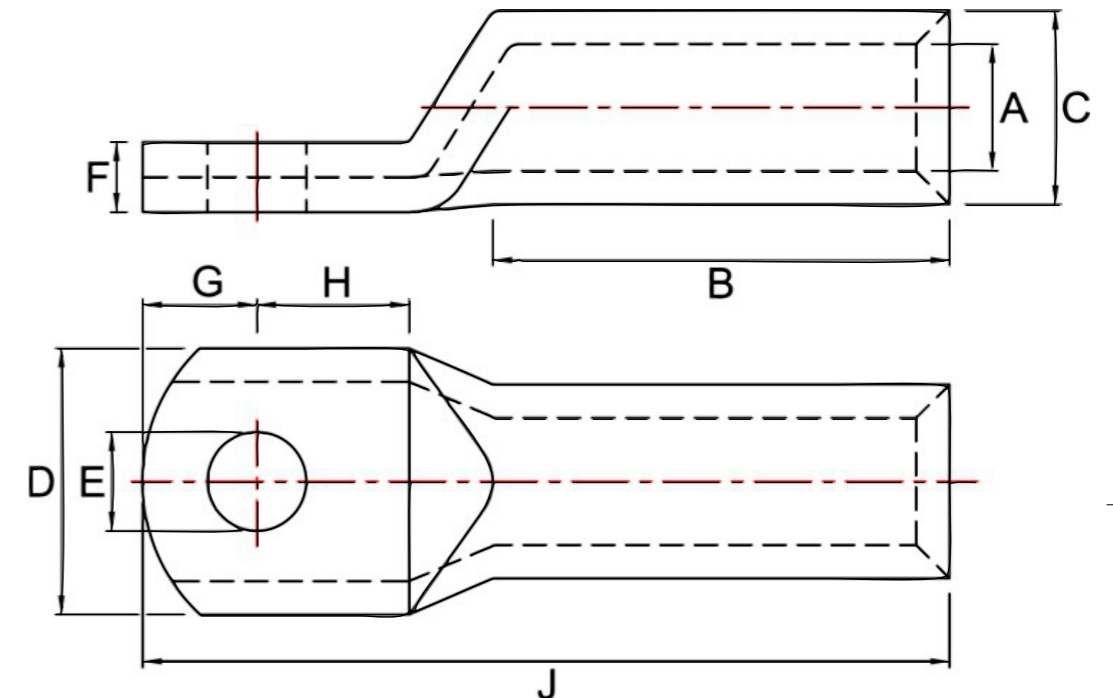



Size mm ²	E ± 0.3	A ± 0.3	C ± 0.3	D ± 1	F ± 1	B ± 1	G ± 0.5	H ± 0.5	L ± 1	P/N
16	8.4	5.5	10	16	3.1	32	10	8	57	ALSLB 16-8
25	8.4	6.8	12	6	4.9	32	10	8	57	ALSLB 25-8
35	10.5	8	14	20	5.7	42	12	10	72	ALSLB 35-10
50	10.5	9.3	16	21.5	6.4	42	12	10	72	ALSLB 50-10
70	13	11.2	18.5	25	6.9	52	15	13	90	ALSLB 70-12
95	13	12.2	22	30	8.4	56	15	13	95	ALSLB 95-12
120	13	14.7	23	31.5	7.9	56	20	15	102	ALSLB 120-12
150	13	16.3	25	34.5	8.3	60	20	15	108	ALSLB 150-12
185	17	18.3	28.5	39.5	9.8	60	20	15	110	ALSLB 185-16
240	17	21	32	44.5	10.6	70	24	19	130	ALSLB 240-16
300	17	23.3	34	47.5	10.3	70	24	19	130	ALSLB 300-16
400	17	26	38.5	53.5	12.1	75	24	19	138	ALSLB 400-16
500	17	29	44	60.5	14.6	80	24	19	148	ALSLB 500-16
630	17	34	50	69.5	15.6	90	28	26	170	ALSLB 630-16



- Notes:
- All dimensions are in mm
 - Material: E Aluminium
 - Lugs shall have marking as per respective size
 - Surface Finish: Electro Tinned Plated

Title: ALSLB AL CABLE LUGS	SHEET 1/1	SCALE Not to Scale
Drawing No: ALSLB/01/19		
DRAWN 01/01/2019		
CHECK JV		
APPR. NJG		
ISSUED		
REV		
CUSTOMER		