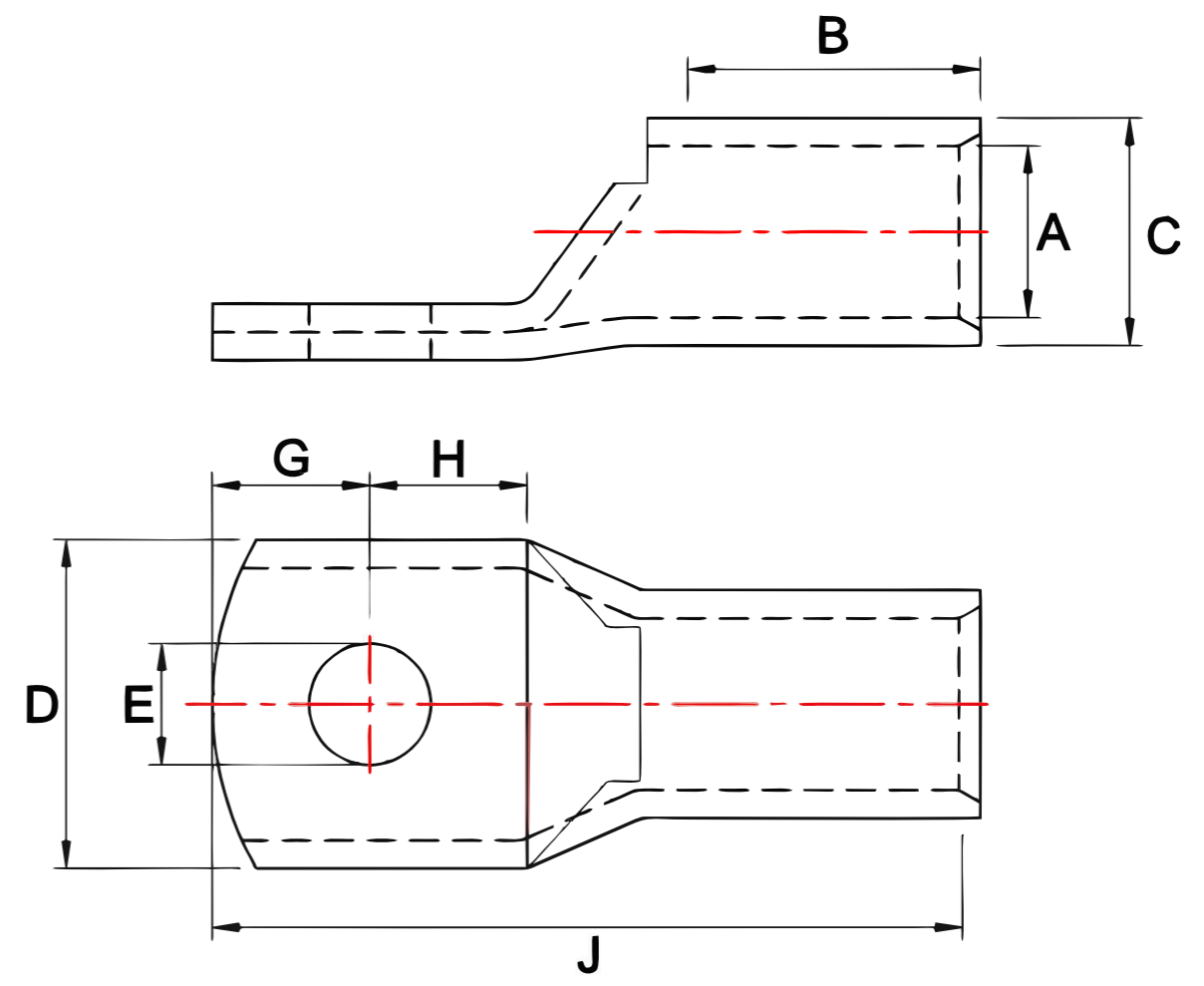



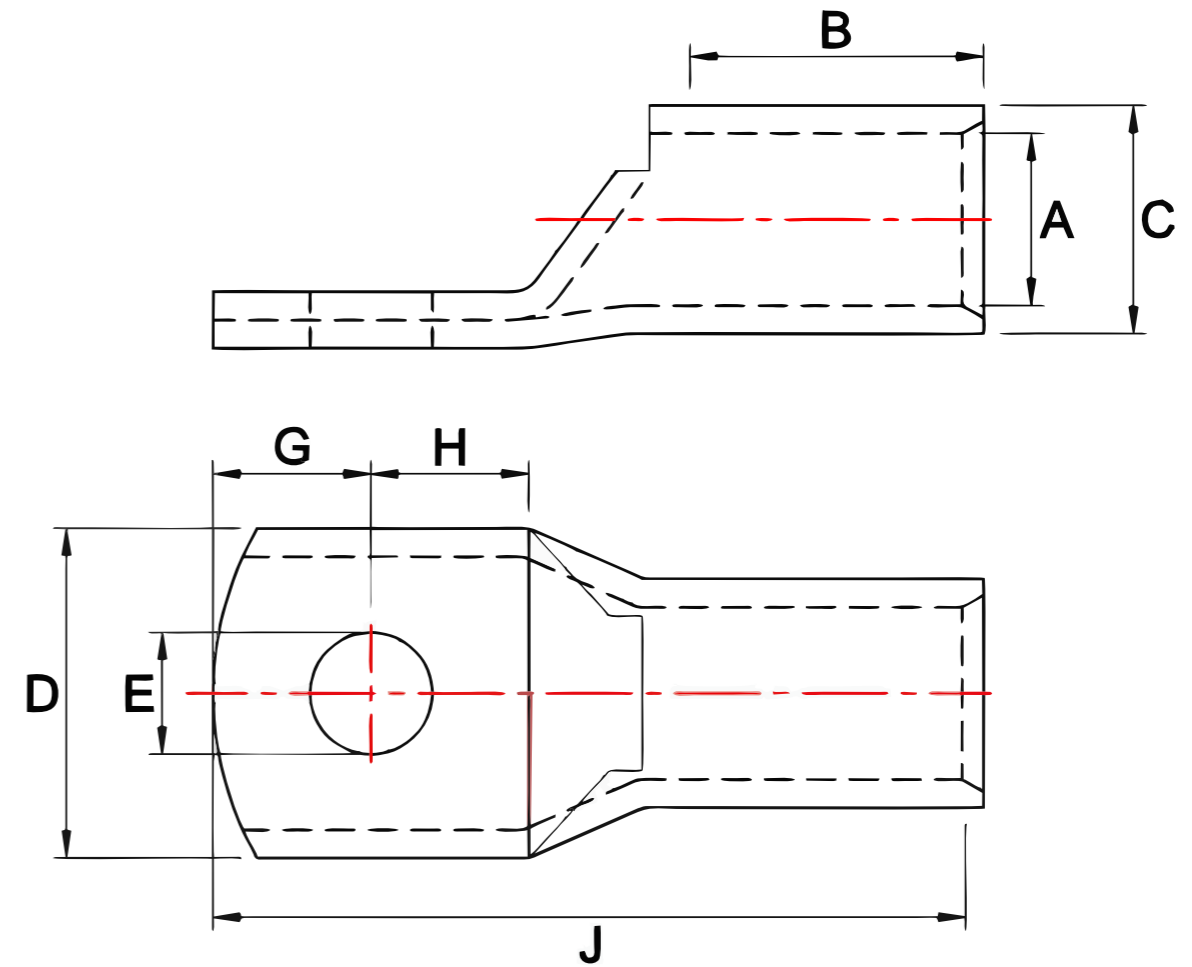
Size mm ²	E ± 0.3	A ± 0.3	C ± 0.3	D ± 1	B ± 1	G ± 0.5	H ± 0.5	J ± 1	P/N
1.5	4.2	1.8	3.8	6.5	7	4	5	18	ACUSIHD 1.5-4
1.5	5.2	1.8	3.8	7.5	7	4.5	5.5	19	ACUSIHD 1.5-5
1.5	6.4	1.8	3.8	9	7	5	6	20	ACUSIHD 1.5-6
2.5	4.2	2.4	4.4	6.5	7	4	5	18	ACUSIHD 2.5-4
2.5	5.2	2.4	4.4	8.5	7	4.5	5.5	19	ACUSIHD 2.5-5
2.5	6.4	2.4	4.4	9	7	5	6	20	ACUSIHD 2.5-6
2.5	8.4	2.4	4.4	12	7	8	9	26	ACUSIHD 2.5-8
4-6	5.2	3.6	5.5	9	10.5	6	6.5	25	ACUSIHD 4/6-5
4-6	6.4	3.6	5.5	11	10.5	6	7	25.5	ACUSIHD 4/6-6
4-6	8.4	3.6	5.5	14	10.5	8	9	29.5	ACUSIHD 4/6-8
4-6	10.5	3.6	5.5	16.5	10.5	10	11	33.5	ACUSIHD 4/6-10
10	5.2	4.5	6.7	10	11.5	6	6.5	26	ACUSIHD 10-5
10	6.4	4.5	6.7	11	11.5	6	7	26.5	ACUSIHD 10-6
10	8.4	4.5	6.7	15	11.5	8	9	30.5	ACUSIHD 10-8
10	10.5	4.5	6.7	18	11.5	10	11	34.5	ACUSIHD 10-10
10	13	4.5	6.7	19	11.5	12	14	39.5	ACUSIHD 10-12
16	5.2	5.5	7.8	11.5	14.5	6	6.5	29	ACUSIHD 16-5
16	6.4	5.5	7.8	11.5	14.5	6	7	29.5	ACUSIHD 16-6
16	8.4	5.5	7.8	15	14.5	8	9	33.5	ACUSIHD 16-8
16	10.5	5.5	7.8	20	14.5	10	11	37.5	ACUSHDI 16-10
16	13	5.5	7.8	20	14.5	12	14	42.5	ACUSIHD 16-12




- Notes:
- All dimensions are in mm
 - Material E-Copper Grade 99.9%
 - Lugs shall have marking as per respective size
 - Surface Finish: Electro Tinned Plated
 - Plating Thickness: 6 microns
 - Available with or without inspection hole

Title: ACUSI HD CU CABLE LUGS	SHEET 1/4	SCALE Not to Scale
Drawing No: ACUSI/01/19		
DRAWN 01/01/2019		
CHECK JV		
APPR. NJG		
ISSUED		
REV		
CUSTOMER		

Size mm ²	E ± 0.3	A ± 0.3	C ± 0.3	D ± 1	B ± 1	G ± 0.5	H ± 0.5	J ± 1	P/N
25	5.2	7	9.5	14	16	6	6.5	31.5	ACUSHDI 25-5
25	6.4	7	9.5	14	16	6	7	32	ACUSIHD 25-6
25	8.4	7	9.5	15	16	8	9	36	ACUSHDI 25-8
25	10.5	7	9.5	18	16	10	11	40	ACUSIHD 25-10
25	13	7	9.5	21	16	12	14	45	ACUSIHD 25-12
35	5.2	8.2	10.7	17	17.5	6	6.5	34	ACUSIHD 35-5
35	6.4	8.2	10.7	17	17.5	6	7	34.5	ACUSHDI 35-6
35	8.4	8.2	10.7	17	17.5	8	9	38.5	ACUSIHD 35-8
35	10.5	8.2	10.7	19	17.5	10	11	42.5	ACUSIHD 35-10
35	13	8.2	10.7	21	17.5	12	14	47.5	ACUSIHD 35-12
50	6.4	10	13.1	19	19.5	6	7	36.5	ACUSIHD 50-6
50	8.4	10	13.1	19	19.5	8	9	40.5	ACUSIHD 50-8
50	10.5	10	13.1	20	19.5	10	11	44.5	ACUSIHD 50-10
50	13	10	13.1	21	19.5	12	12	47.5	ACUSIHD 50-12
70	8.4	11.5	15	21	23	8	9	46	ACUSIHD 70-8
70	10.5	11.5	15	21	23	10	11	50	ACUSIHD 70-10
70	13	11.5	15	22	23	12	14	55	ACUSIHD 70-12
70	14.7	11.5	15	25	23	14	16	59	ACUSIHD 70-14
70	17	11.5	15	26	23	16	18	63	ACUSIHD 70-16

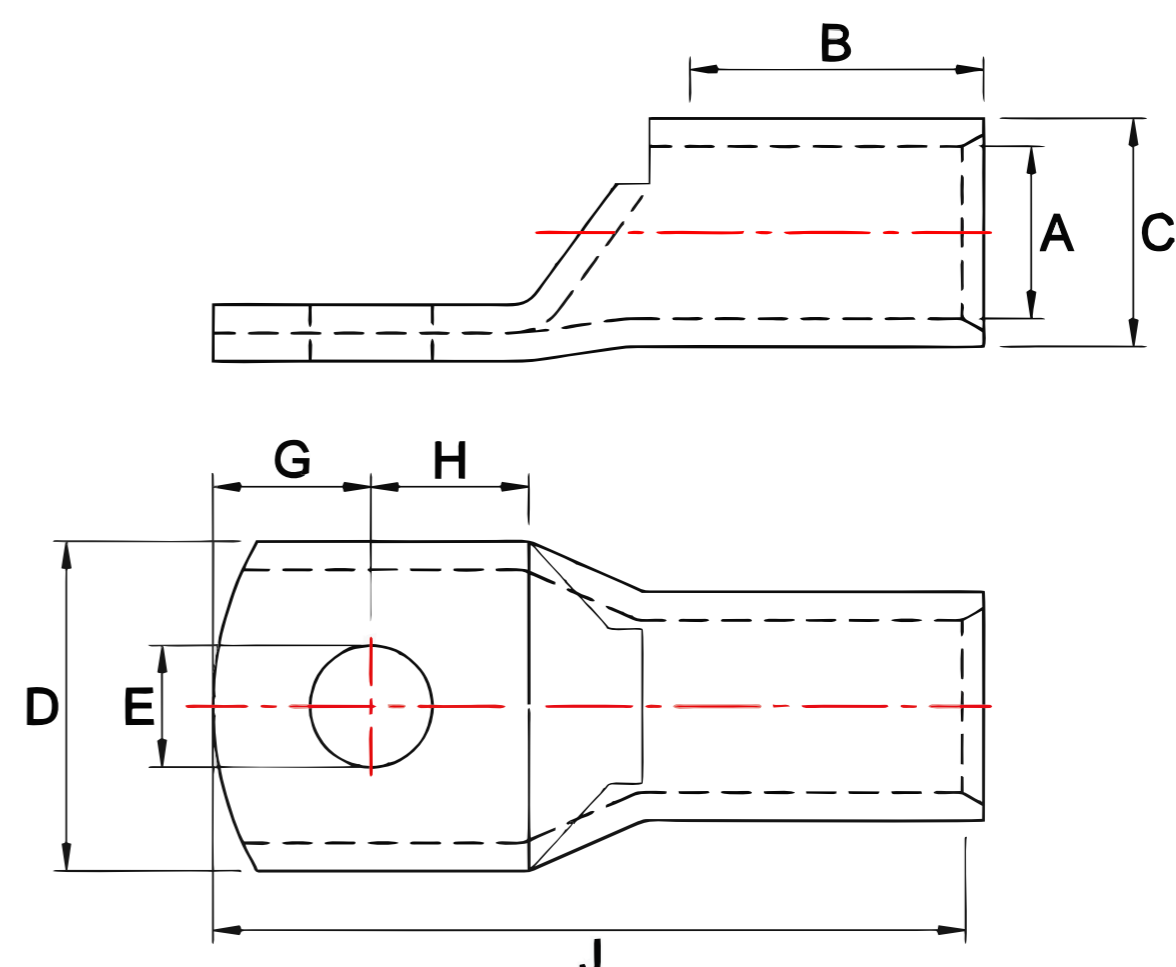



- Notes:
- All dimensions are in mm
 - Material E-Copper Grade 99.9%
 - Lugs shall have marking as per respective size
 - Surface Finish: Electro Tinned Plated
 - Plating Thickness: 6 microns
 - Available with or without inspection hole

Title: ACUSI HD CU CABLE LUGS	SHEET 2/4	SCALE Not to Scale
Drawing No: ACUSI/01/19		
DRAWN 01/01/2019		
CHECK JV		
APPR. NJG		
ISSUED		
REV		
CUSTOMER		

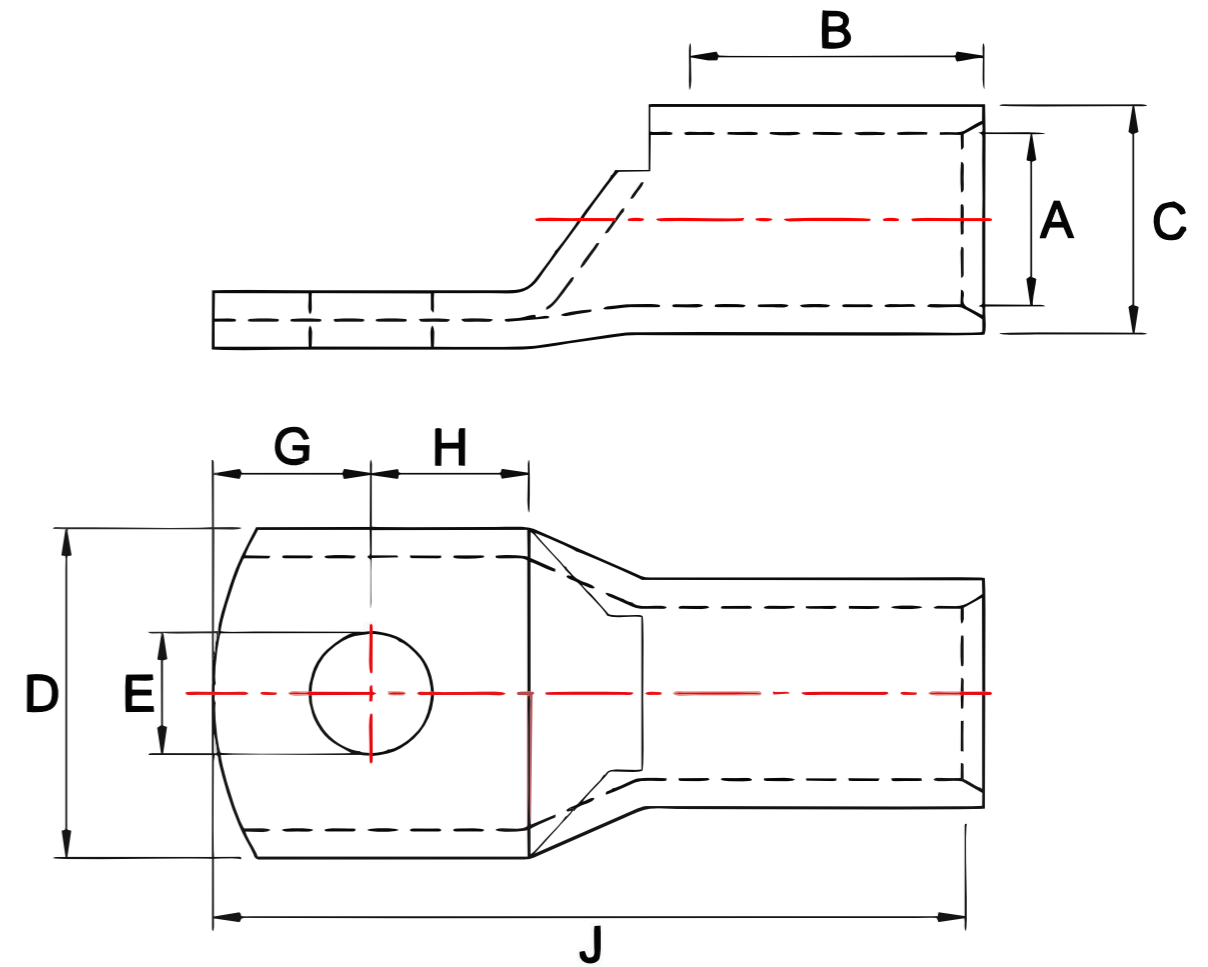
Size mm ²	E ± 0.3	A ± 0.3	C ± 0.3	D ± 1	B ± 1	G ± 0.5	H ± 0.5	J ± 1	P/N
95	10.5	13.5	17.5	25	28.5	10	11	56.5	ACUSIHD 95-10
95	13	13.5	17.5	25	28.5	12	14	61.5	ACUSIHD 95-12
95	14.7	13.5	17.5	25	28.5	14	16	65.5	ACUSIHD 95-14
95	17	13.5	17.5	27	28.5	16	18	69.5	ACUSIHD 95-16
120	8.4	15.5	19.9	28.5	29	8	9	54	ACUSIHD 120-8
120	10.5	15.5	19.9	28.5	29	10	11	58	ACUSIHD 120-10
120	13	15.5	19.9	28.5	29	12	14	63	ACUSIHD 120-12
120	14.7	15.5	19.9	28.5	29	14	16	67	ACUSIHD 120-14
120	17	15.5	19.9	28.5	29	16	18	71	ACUSIHD 120-16
150	8.4	17	21.5	31.5	36	11	13	69	ACUSIHD 150-8
150	10.5	17	21.5	31.5	36	11	13	69	ACUSIHD 150-10
150	13	17	21.5	31.5	36	12	14	71	ACUSIHD 150-12
150	14.7	17	21.5	31.5	36	16	18	79	ACUSIHD 150-14
150	17	17	21.5	31.5	36	17	19	81	ACUSIHD 150-16
185	10.5	19	24	35.5	43	11	13	76	ACUSIHD 185-10
185	13	19	24	35.5	43	14	16	82	ACUSIHD 185-12
185	14.7	19	24	35.5	43	16	18	86	ACUSIHD 185-14
185	17	19	24	35.5	43	17	19	88	ACUSIHD 185-16
240	10.5	21.5	26.5	39	46	11	13	82	ACUSIHD 240-10
240	13	21.5	26.5	39	46	12	14	84	ACUSIHD 240-12
240	14.7	21.5	26.5	39	46	16	18	92	ACUSIHD 240-14
240	17	21.5	26.5	39	46	17	19	94	ACUSIHD 240-16
240	21	21.5	26.5	39	46	20	22	100	ACUSIHD 240-20

- Notes:
- All dimensions are in mm
 - Material E-Copper Grade 99.9%
 - Lugs shall have marking as per respective size
 - Surface Finish: Electro Tinned Plated
 - Plating Thickness: 6 microns
 - Available with or without inspection hole



Title: ACUSI HD CU CABLE LUGS	SHEET 3/4	SCALE Not to Scale
Drawing No: ACUSI/01/19		
DRAWN 01/01/2019		
CHECK JV		
APPR. NJG		
ISSUED		
REV		
CUSTOMER		

Size mm ²	E ± 0.3	A ± 0.3	C ± 0.3	D ± 1	B ± 1	G ± 0.5	H ± 0.5	J ± 1	P/N
300	10.5	24.5	29.5	44	51	11	13	89	ACUSIHD 300-10
300	13	24.5	29.5	44	51	14	16	95	ACUSIHD 300-12
300	14.7	24.5	29.5	44	51	16	18	99	ACUSIHD 300-14
300	17	24.5	29.5	44	51	17	19	101	ACUSIHD 300-16
300	21	24.5	29.5	44	51	20	22	107	ACUSIHD 300-20
400	17	27.5	34.5	51	56	20	22	114	ACUSIHD 400-16
400	21	27.5	34.5	51	56	20	22	114	ACUSIHD 400-20
500	17	31	38	56.5	60	20	22	118	ACUSIHD 500-16
500	21	31	38	56.5	60	20	22	118	ACUSIHD 500-20
630	17	34.5	44	61.6	71	23	24	134	ACUSIHD 630-16
630	21	34.5	44	61.6	71	23	24	134	ACUSIHD 630-20
800	17	40	52	72	78	23	24	145	ACUSIHD 800-16
800	21	40	52	72	78	23	24	145	ACUSIHD 800-20
1000	17	44	58	80	93	23	24	162	ACUSIHD 1000-17
1000	21	44	58	80	93	23	24	162	ACUSIHD 1000-20



Notes:

- All dimensions are in mm
- Material E-Copper Grade 99.9%
- Lugs shall have marking as per respective size
- Surface Finish: Electro Tinned Plated
- Plating Thickness: 6 microns
- Available with or without inspection hole

Title: ACUSI HD CU CABLE LUGS

SHEET
4/4

SCALE
Not to Scale

Drawing No: ACUSI/01/19

DRAWN 01/01/2019

CHECK JV

APPR. NJG

ISSUED

REV

CUSTOMER



A-1 ELECTRICALS