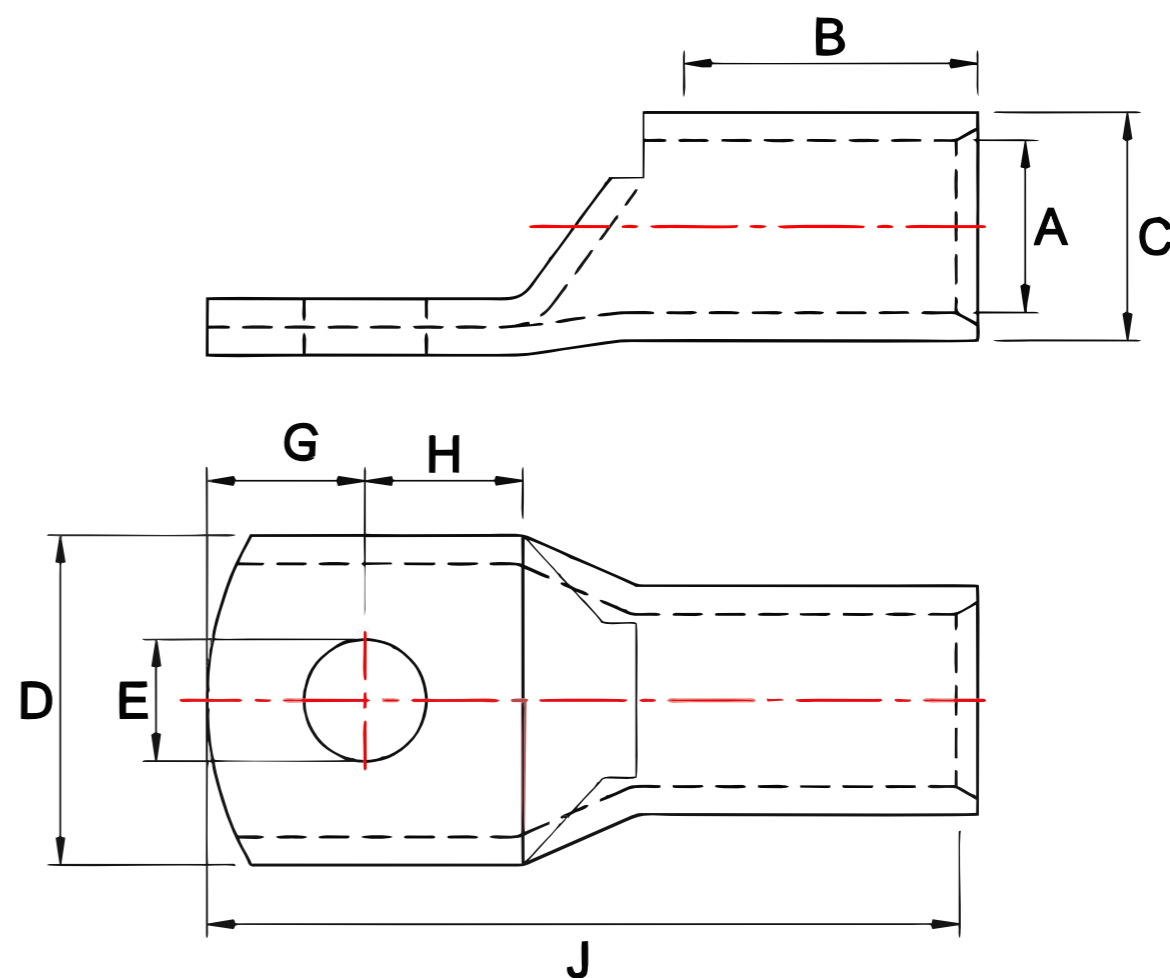



Size mm ²	E ± 0.3	A ± 0.3	C ± 0.3	D ± 1	B ± 1	G ± 0.5	H ± 0.5	J ± 1	P/N
1.5	4.2	1.8	3.8	6.5	7	4	5	18	ACUSI 1.5-4
1.5	5.2	1.8	3.8	7.5	7	4.5	5.5	19	ACUSI 1.5-5
1.5	6.4	1.8	3.8	9	7	5	6	20	ACUSI 1.5-6
2.5	4.2	2.4	4.4	6.5	7	4	5	18	ACUSI 2.5-4
2.5	5.2	2.4	4.4	8.5	7	4.5	5.5	19	ACUSI 2.5-5
2.5	6.4	2.4	4.4	9	7	5	6	20	ACUSI 2.5-6
2.5	8.4	2.4	4.4	12	7	8	9	26	ACUSI 2.5-8
4-6	5.2	3.6	5.5	9	10.5	6	6.5	25	ACUSI 4/6-5
4-6	6.4	3.6	5.5	11	10.5	6	7	25.5	ACUSI 4/6-6
4-6	8.4	3.6	5.5	14	10.5	8	9	29.5	ACUSI 4/6-8
4-6	10.5	3.6	5.5	16.5	10.5	10	11	33.5	ACUSI 4/6-10
10	5.2	4.5	6.7	10	11.5	6	6.5	26	ACUSI 10-5
10	6.4	4.5	6.7	11	11.5	6	7	26.5	ACUSI 10-6
10	8.4	4.5	6.7	15	11.5	8	9	30.5	ACUSI 10-8
10	10.5	4.5	6.7	18	11.5	10	11	34.5	ACUSI 10-10
10	13	4.5	6.7	19	11.5	12	14	39.5	ACUSI 10-12
16	5.2	5.5	7.8	11.5	14.5	6	6.5	29	ACUSI 16-5
16	6.4	5.5	7.8	11.5	14.5	6	7	29.5	ACUSI 16-6
16	8.4	5.5	7.8	15	14.5	8	9	33.5	ACUSI 16-8
16	10.5	5.5	7.8	20	14.5	10	11	37.5	ACUSI 16-10
16	13	5.5	7.8	20	14.5	12	14	42.5	ACUSI 16-12

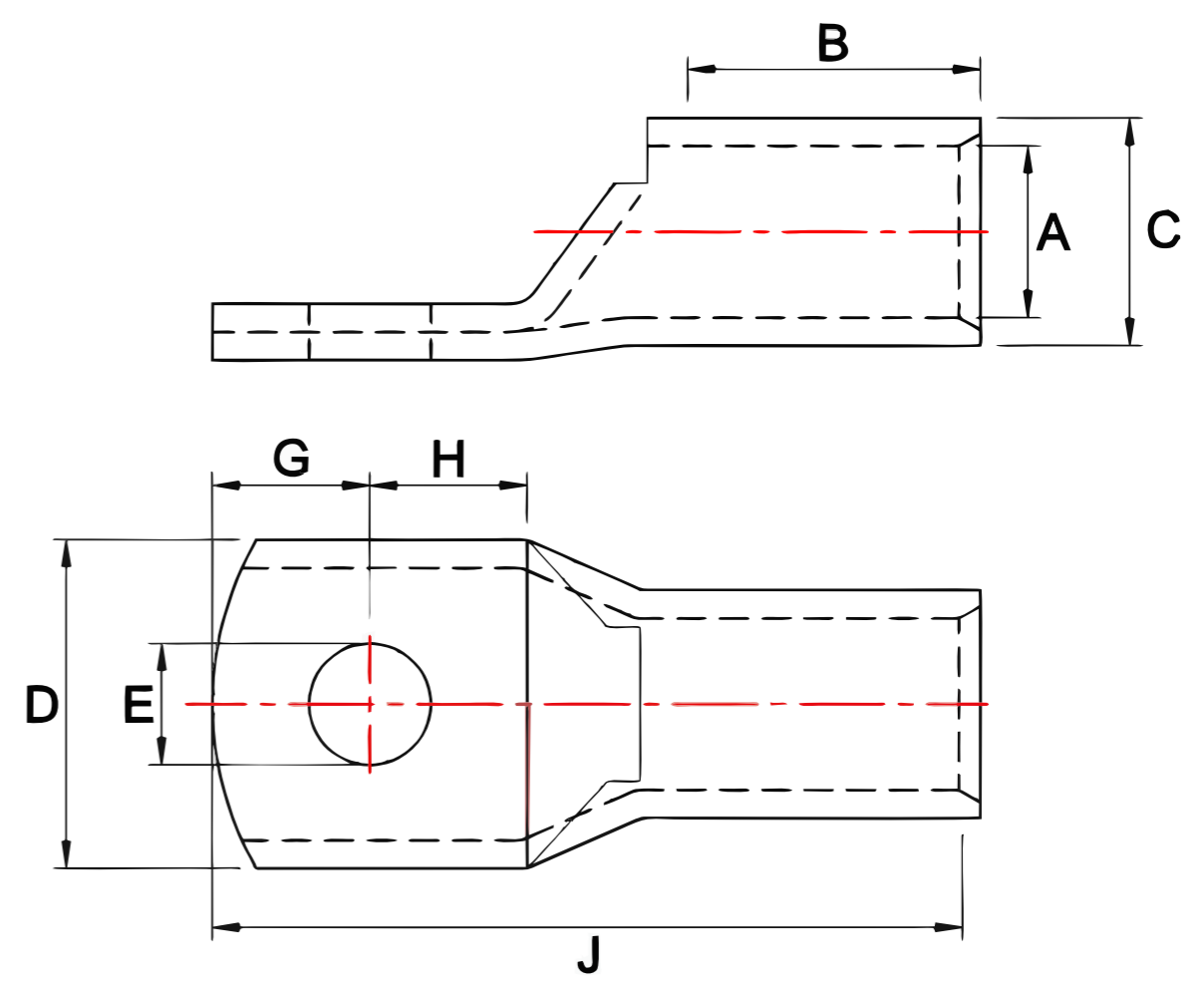
Notes:

- All dimensions are in mm
- Material E-Copper Grade 99.9%
- Lugs shall have marking as per respective size
- Surface Finish: Electro Tinned Plated
- Plating Thickness: 6 microns
- Available with or without inspection hole




Title: ACUSI CU CABLE LUGS	SHEET 1/4	SCALE Not to Scale
Drawing No: ACUSI/01/19		
DRAWN 01/01/2019		
CHECK JV		
APPR. NJG		
ISSUED		
REV		
CUSTOMER		

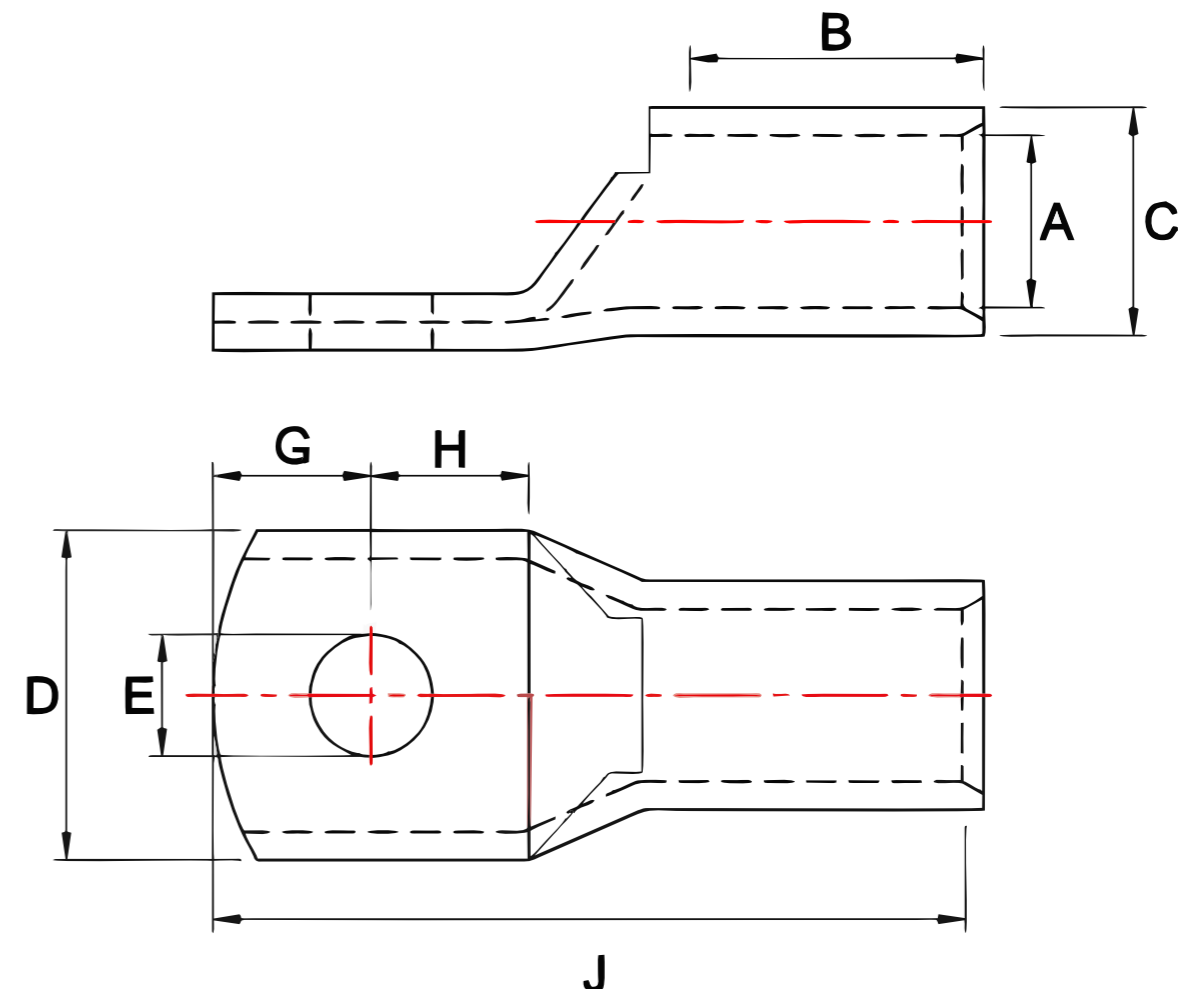
Size mm ²	E ± 0.3	A ± 0.3	C ± 0.3	D ± 1	B ± 1	G ± 0.5	H ± 0.5	J ± 1	P/N
25	5.2	7	9.5	14	16	6	6.5	31.5	ACUSI 25-5
25	6.4	7	9.5	14	16	6	7	32	ACUSI 25-6
25	8.4	7	9.5	15	16	8	9	36	ACUSI 25-8
25	10.5	7	9.5	18	16	10	11	40	ACUSI 25-10
25	13	7	9.5	21	16	12	14	45	ACUSI 25-12
35	5.2	8.2	10.2	15	17.5	6	6.5	34	ACUSI 35-5
35	6.4	8.2	10.2	15	17.5	6	7	34.5	ACUSI 35-6
35	8.4	8.2	10.2	15	17.5	8	9	38.5	ACUSI 35-8
35	10.5	8.2	10.2	15	17.5	10	11	42.5	ACUSI 35-10
35	13	8.2	10.2	18	17.5	12	14	47.5	ACUSI 35-12
50	6.4	10	12	16	19.5	6	7	36.5	ACUSI 50-6
50	8.4	10	12	16	19.5	8	9	40.5	ACUSI 50-8
50	10.5	10	12	16	19.5	10	11	44.5	ACUSI 50-10
50	13	10	12	20	19.5	12	12	47.5	ACUSI 50-12
70	8.4	11.5	13.8	20	23	8	9	46	ACUSI 70-8
70	10.5	11.5	13.8	20	23	10	11	50	ACUSI 70-10
70	13	11.5	13.8	20	23	12	14	55	ACUSI 70-12
70	14.7	11.5	13.8	20	23	14	16	59	ACUSI 70-14
70	17	11.5	13.8	20	23	16	18	63	ACUSI 70-16




- Notes:
- All dimensions are in mm
 - Material E-Copper Grade 99.9%
 - Lugs shall have marking as per respective size
 - Surface Finish: Electro Tinned Plated
 - Plating Thickness: 6 microns
 - Available with or without inspection hole

Title: ACUSI CU CABLE LUGS	SHEET 2/4	SCALE Not to Scale
Drawing No: ACUSI/01/19		
DRAWN 01/01/2019		
CHECK JV		
APPR. NJG		
ISSUED		
REV		
CUSTOMER		

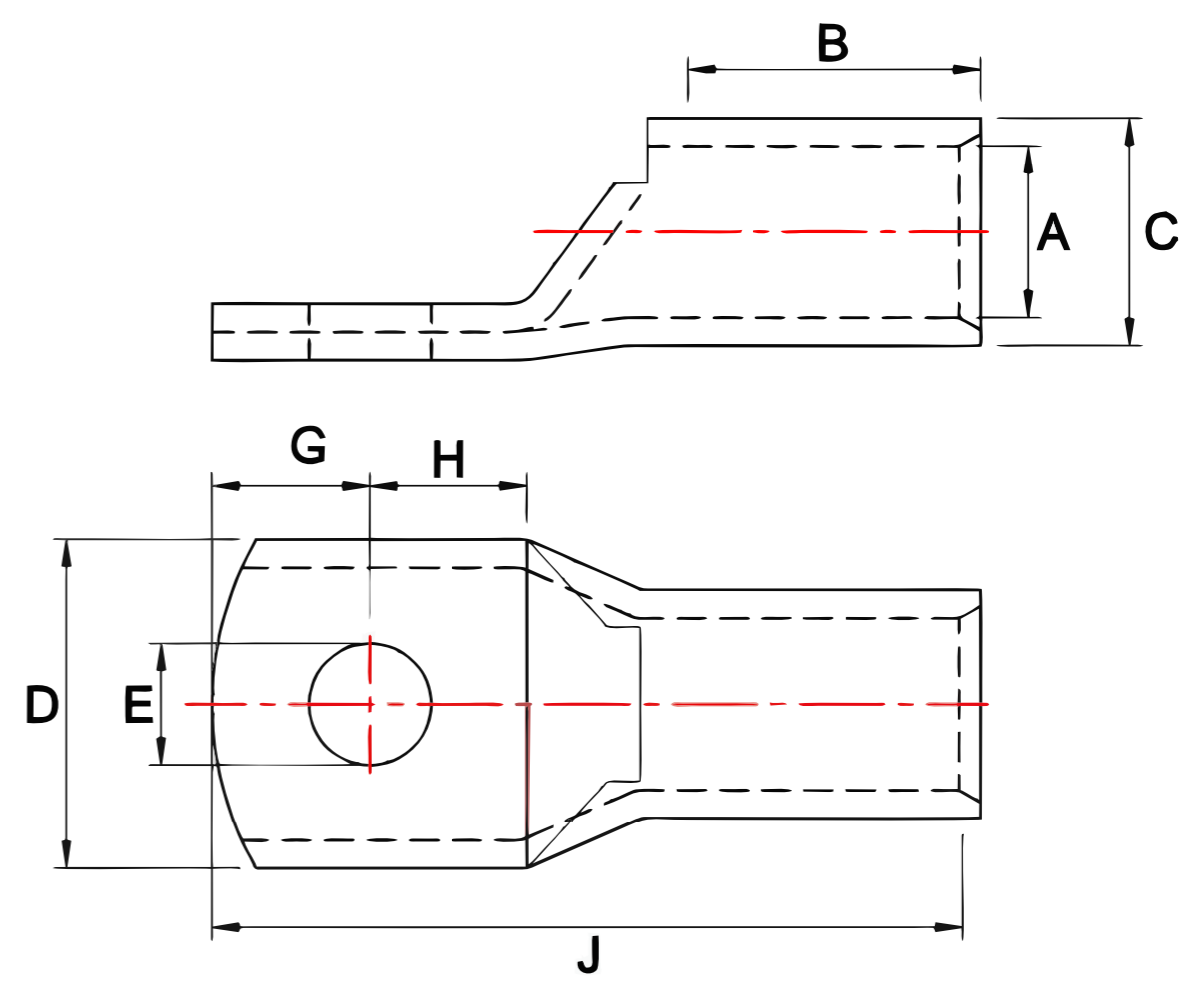
Size mm ²	E ± 0.3	A ± 0.3	C ± 0.3	D ± 1	B ± 1	G ± 0.5	H ± 0.5	J ± 1	P/N
95	10.5	13.5	16.3	23	28.5	10	11	56.5	ACUSI 95-10
95	13	13.5	16.3	23	28.5	12	14	61.5	ACUSI 95-12
95	14.7	13.5	16.3	23	28.5	14	16	65.5	ACUSI 95-14
95	17	13.5	16.3	23	28.5	16	18	69.5	ACUSI 95-16
120	8.4	15.5	18.5	26	29	8	9	54	ACUSI 120-8
120	10.5	15.5	18.5	26	29	10	11	58	ACUSI 120-10
120	13	15.5	18.5	26	29	12	14	63	ACUSI 120-12
120	14.7	15.5	18.5	26	29	14	16	67	ACUSI 120-14
120	17	15.5	18.5	26	29	16	18	71	ACUSI 120-16
150	8.4	17	20.6	28	36	11	13	69	ACUSI 150-8
150	10.5	17	20.6	28	36	11	13	69	ACUSI 150-10
150	13	17	20.6	28	36	12	14	71	ACUSI 150-12
150	14.7	17	20.6	28	36	16	18	79	ACUSI 150-14
150	17	17	20.6	28	36	17	19	81	ACUSI 150-16
185	10.5	19	22	32	43	11	13	76	ACUSI 185-10
185	13	19	22	32	43	14	16	82	ACUSI 185-12
185	14.7	19	22	32	43	16	18	86	ACUSI 185-14
185	17	19	22	32	43	17	19	88	ACUSI 185-16



- Notes:
- All dimensions are in mm
 - Material E-Copper Grade 99.9%
 - Lugs shall have marking as per respective size
 - Surface Finish: Electro Tinned Plated
 - Plating Thickness: 6 microns
 - Available with or without inspection hole


Title: ACUSI CU CABLE LUGS	SHEET 3/4	SCALE Not to Scale
Drawing No: ACUSI/01/19		
DRAWN 01/01/2019		
CHECK JV		
APPR. NJG		
ISSUED		
REV		
CUSTOMER		

Size mm ²	E ± 0.3	A ± 0.3	C ± 0.3	D ± 1	B ± 1	G ± 0.5	H ± 0.5	J ± 1	P/N
240	10.5	21.5	25.5	38	46	11	13	82	ACUSI 240-10
240	13	21.5	25.5	38	46	12	14	84	ACUSI 240-12
240	14.7	21.5	25.5	38	46	16	18	92	ACUSI 240-14
240	17	21.5	25.5	38	46	17	19	94	ACUSI 240-16
240	21	21.5	25.5	38	46	20	22	100	ACUSI 240-20
300	10.5	24.5	29.2	42	51	11	13	89	ACUSI 300-10
300	13	24.5	29.2	42	51	14	16	95	ACUSI 300-12
300	14.7	24.5	29.2	42	51	16	18	99	ACUSI 300-14
300	17	24.5	29.2	42	51	17	19	101	ACUSI 300-16
300	21	24.5	29.2	42	51	20	22	107	ACUSI 300-20
400	17	27.5	32.7	49	56	20	22	114	ACUSI 400-16
400	21	27.5	32.7	49	56	20	22	114	ACUSI 400-20
500	17	31	37	53	60	20	22	118	ACUSI 500-16
500	21	31	37	53	60	20	22	118	ACUSI 500-20
630	17	34.5	41.5	61	71	23	24	134	ACUSI 630-16
630	21	34.5	41.5	61	71	23	24	134	ACUSI 630-20
800	17	40	48.3	67	78	23	24	145	ACUSI 800-16
800	21	40	48.3	67	78	23	24	145	ACUSI 800-20



- Notes:
- All dimensions are in mm
 - Material E-Copper Grade 99.9%
 - Lugs shall have marking as per respective size
 - Surface Finish: Electro Tinned Plated
 - Plating Thickness: 6 microns
 - Available with or without inspection hole

Title: ACUSI CU CABLE LUGS	SHEET 4/4	SCALE Not to Scale
Drawing No: ACUSI/01/19		
DRAWN 01/01/2019		
CHECK JV		
APPR. NJG		
ISSUED		
REV		
CUSTOMER		


A-1 ELECTRICALS