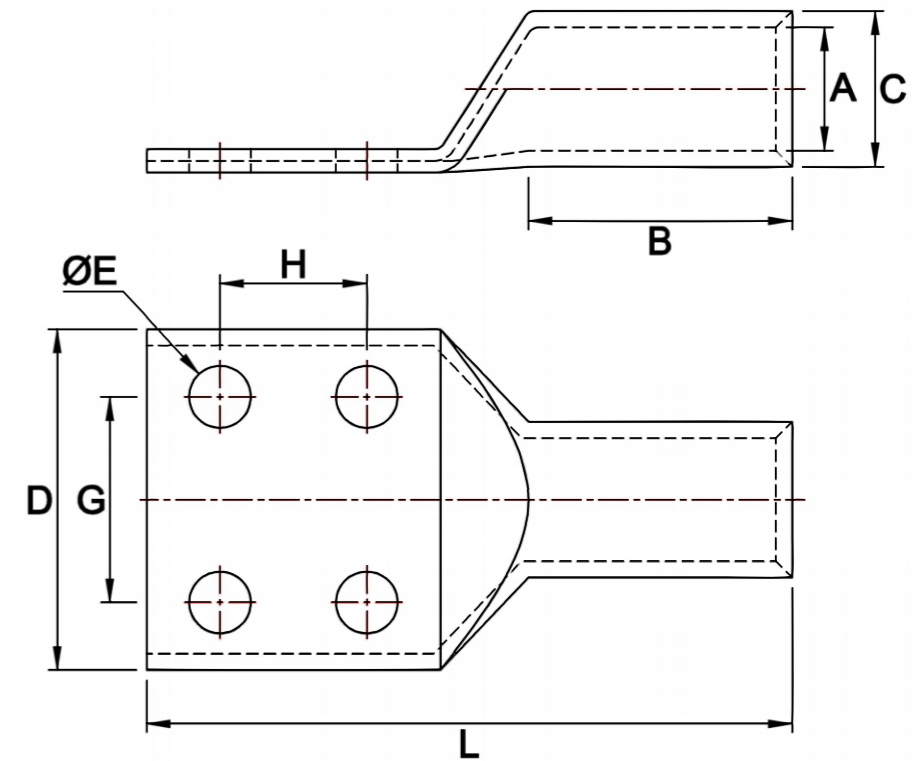



Size mm ²	E ± 0.3	A ± 0.3	C ± 0.3	D ± 1	B ± 1	G ± 0.5	H ± 0.5	L ± 1	P/N
240	8.4	21.5	29	58	45	35	25	110	ACUS4H 240-8
240	10.5	21.5	29	58	45	35	25	110	ACUS4H 240-10
300	8.4	24.5	31	58	50	35	25	115	ACUS4H 300-8
300	10.5	24.5	31	58	50	35	25	115	ACUS4H 300-10
400	8.4	27.5	34.5	58	52	35	25	120	ACUS4H 400-8
400	10.5	27.5	34.5	58	52	35	25	120	ACUS4H 400-10
500	8.4	31	42	58	56	35	25	124	ACUS4H 500-8
500	10.5	31	42	58	56	35	25	124	ACUS4H 500-10
630	8.4	34.5	44	65	66	35	25	154	ACUS4H 630-8
630	10.5	34.5	44	65	66	35	25	154	ACUS4H 630-10
800	8.4	40	52	73	90	35	25	170	ACUS4H 800-8
800	10.5	40	52	73	90	35	25	170	ACUS4H 800-10
1000	8.4	44	58	81	100	35	25	230	ACUS4H 1000-8
1000	10.5	44	58	81	100	35	25	230	ACUS4H 1000-10



- Notes:
- All dimensions are in mm
 - Material E-Copper Grade 99.9%
 - Lugs shall have marking as per respective size
 - Surface Finish: Electro Tinned Plated
 - Plating Thickness: 6 microns
 - Available with or without inspection hole.

Title: ACUS4H CU CABLE LUGS	SHEET 1/1	SCALE Not to Scale
Drawing No: ACUS4H//01/19		
DRAWN 01/01/2019		
CHECK JV		
APPR. NJG		
ISSUED		
REV		
CUSTOMER		