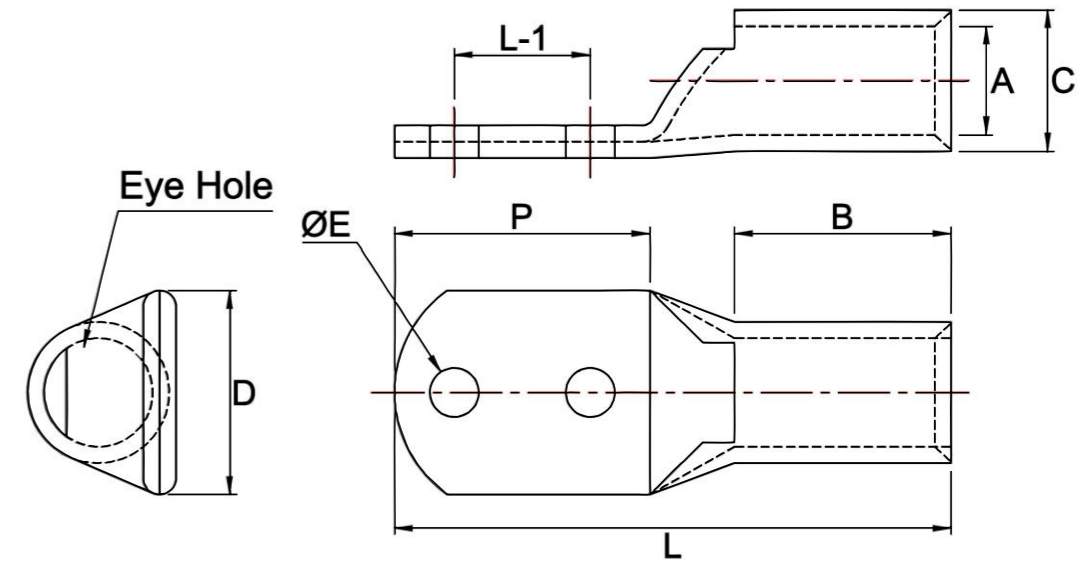
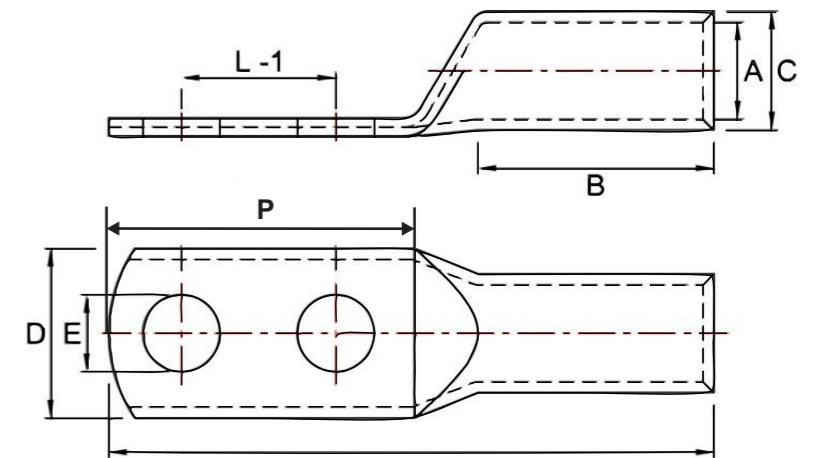


Size mm ²	E ± 0.3	A ± 0.3	C ± 0.3	D ± 1	B ± 1	P ± 1	L-1 ±	L ± 1	P/N
185	13	19	24	35.5	40	82	50	131	ACUS2H 185-12 (H-H 50)
185	14.7	19	24	35.5	40	85	50	134	ACUS2H 185-14 (H-H 50)
185	17	19	24	35.5	40	90	50	139	ACUS2H 185-16 (H-H 50)
185	19	19	24	35.5	40	94	50	143	ACUS2H 185-18 (H-H 50)
185	21	19	24	35.5	40	98	50	147	ACUS2H 185-20 (H-H 50)
240	13	21.5	26.5	39	40	82	50	134	ACUS2H 240-12 (H-H 50)
240	14.7	21.5	26.5	39	40	85	50	137	ACUS2H 240-14 (H-H 50)
240	17	21.5	26.5	39	40	90	50	142	ACUS2H 240-16 (H-H 50)
240	19	21.5	26.5	39	40	94	50	146	ACUS2H 240-18 (H-H 50)
240	21	21.5	26.5	39	40	98	50	150	ACUS2H 240-20 (H-H 50)
300	13	24.5	31	44	50	82	50	146	ACUS2H 300-12 (H-H 50)
300	14.7	24.5	31	44	50	85	50	149	ACUS2H 300-14 (H-H 50)
300	17	24.5	31	44	50	90	50	154	ACUS2H 300-16 (H-H 50)
300	19	24.5	31	44	50	94	50	158	ACUS2H 300-18 (H-H 50)
300	21	24.5	31	44	50	98	50	162	ACUS2H 300-20 (H-H 50)
400	13	27.5	34.5	51	70	82	50	168	ACUS2H 400-12 (H-H 50)
400	14.7	27.5	34.5	51	70	85	50	171	ACUS2H 400-14 (H-H 50)
400	17	27.5	34.5	51	70	90	50	176	ACUS2H 400-16 (H-H 50)
400	19	27.5	34.5	51	70	94	50	180	ACUS2H 400-18 (H-H 50)
400	21	27.5	34.5	51	70	98	50	184	ACUS2H 400-20 (H-H 50)


LUG WITH INSPECTION HOLE



LUG WITHOUT INSPECTION HOLE

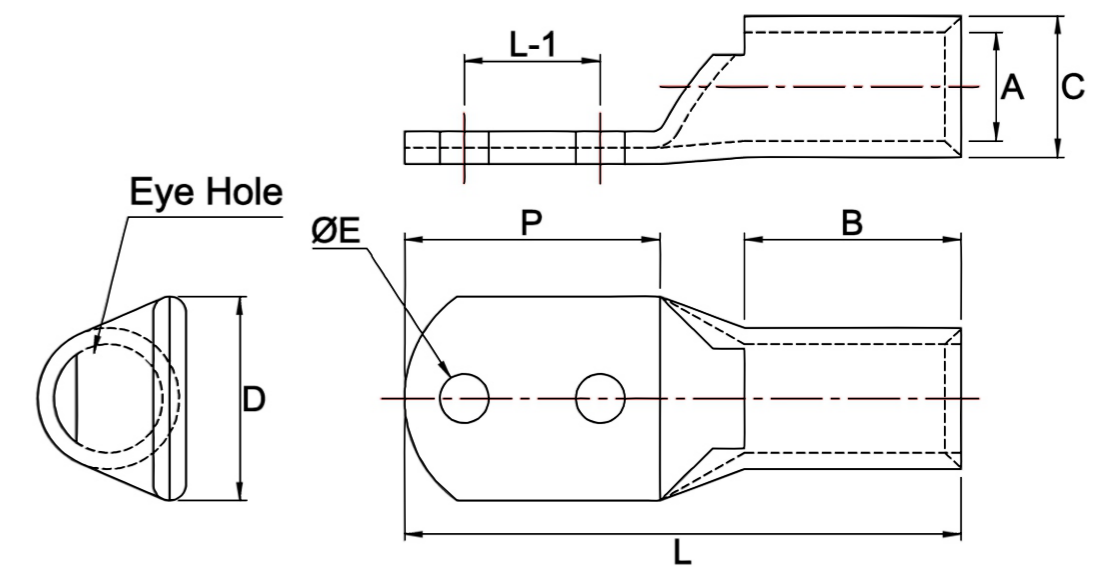


- Notes:
- All dimensions are in mm
 - Material E-Copper Grade 99.9%
 - Lugs shall have marking as per respective size
 - Surface Finish: Electro Tinned Plated
 - Plating Thickness: 6 microns
 - Available with or without inspection hole.

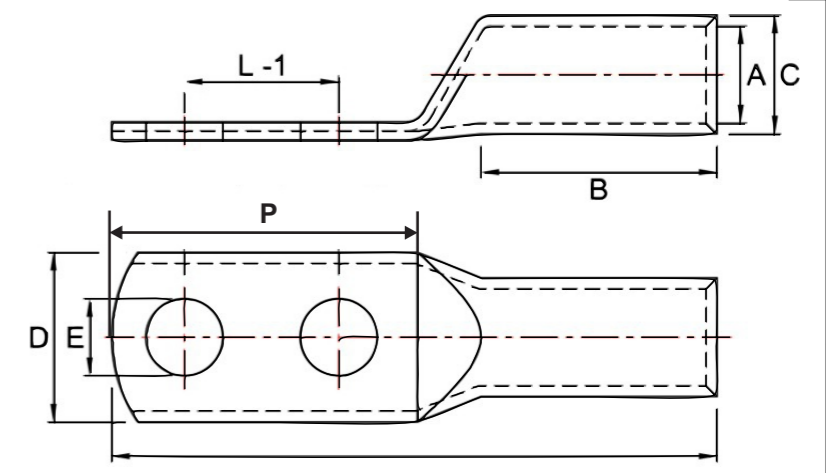
Title: ACUS2H (H-H 50) CU CABLE LUGS	SHEET 1/2	SCALE Not to Scale
Drawing No: ACUS2H (H-H 50)I/01/19		
DRAWN 01/01/2019		
CHECK JV		
APPR. NJG		
ISSUED		
REV		
CUSTOMER		

Size mm ²	E ± 0.3	A ± 0.3	C ± 0.3	D ± 1	B ± 1	P ± 1	L-1 ±	L ± 1	P/N
500	13	31	38	56.5	70	82	50	168	ACUS2H 500-12 (H-H 50)
500	14.7	31	38	56.5	70	85	50	171	ACUS2H 500-14 (H-H 50)
500	17	31	38	56.5	70	90	50	176	ACUS2H 500-16 (H-H 50)
500	19	31	38	56.5	70	94	50	180	ACUS2H 500-18 (H-H 50)
500	21	31	38	56.5	70	98	50	184	ACUS2H 500-20 (H-H 50)
630	13	34.5	44	61.6	80	82	50	178	ACUS2H 630-12 (H-H 50)
630	14.7	34.5	44	61.6	80	85	50	181	ACUS2H 630-14 (H-H 50)
630	17	34.5	44	61.6	80	90	50	186	ACUS2H 630-16 (H-H 50)
630	19	34.5	44	61.6	80	94	50	190	ACUS2H 630-18 (H-H 50)
630	21	34.5	44	61.6	80	98	50	194	ACUS2H 630-20 (H-H 50)
800	13	40	52	72	100	82	50	202	ACUS2H 800-12 (H-H 50)
800	14.7	40	52	72	100	85	50	205	ACUS2H800-14 (H-H 50)
800	17	40	52	72	100	90	50	210	ACUS2H 800-16 (H-H 50)
800	19	40	52	72	100	94	50	214	ACUS2H 800-18 (H-H 50)
800	21	40	52	72	100	98	50	218	ACUS2H 800-20 (H-H 50)

LUG WITH INSPECTION HOLE



LUG WITHOUT INSPECTION HOLE



- Notes:
- All dimensions are in mm
 - Material E-Copper Grade 99.9%
 - Lugs shall have marking as per respective size
 - Surface Finish: Electro Tinned Plated
 - Plating Thickness: 6 microns
 - Available with or without inspection hole.

Title: ACUS2H (H-H 50 CU CABLE LUGS)	SHEET 2/2	SCALE Not to Scale
Drawing No: ACUS2H (H-H 50)I/01/19		
DRAWN 01/01/2019		
CHECK JV		
APPR. NJG		
ISSUED		
REV		
CUSTOMER		

