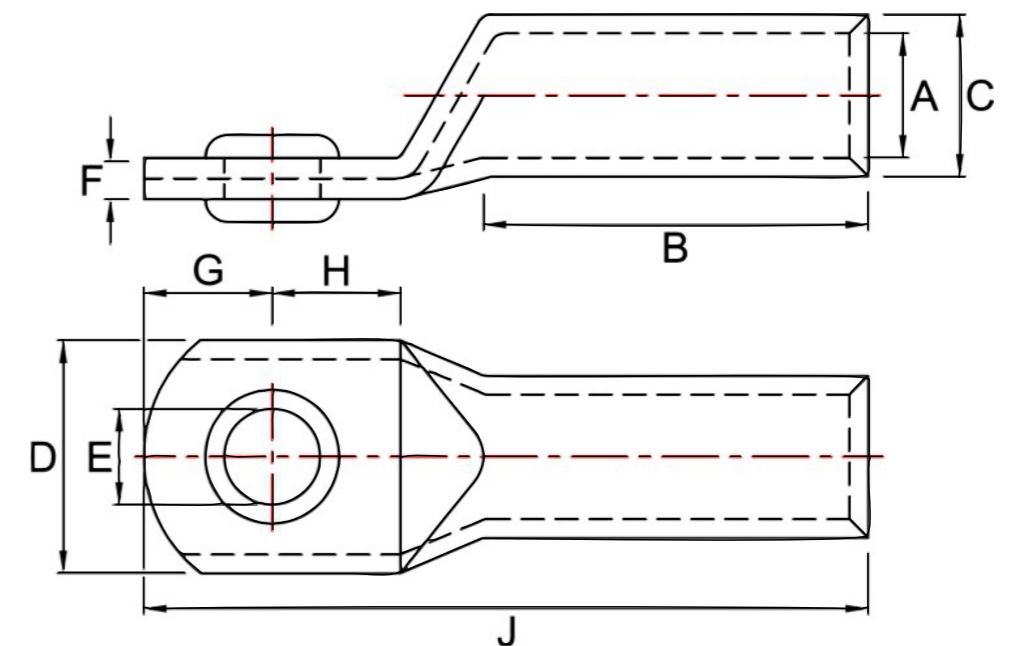



Size mm <sup>2</sup>	E ± 0.3	A ± 0.3	C ± 0.3	D ± 1	B ± 1	G ± 0.5	H ± 0.5	J ± 1	P/N
25	10.5	6.8	12	25	38	13	12	74	ABMW 25-10
35	10.5	8	14	30	42	14	16	82	ABMW 35-10
50	10.5	9.8	16	30	45	14	16	87	ABMW 50-10
70	10.5	11.2	18.5	32	55	18	19	102	ABMW 70-10
95	13	13.2	22	38	55	18	19	106	ABMW 95-12
120	13	14.7	23	38	55	18	19	112	ABMW 120-12
150	13	16.3	25	44	63	19	22	125	ABMW 150-12
185	13	18.3	28	46	65	22	26	133	ABMW 185-12
240	13	21	32	49	70	25	26	140	ABMW 240-12
300	17	23.3	34	51	75	25	26	155	ABMW 300-16



Notes:

- All dimensions are in mm
- Material Al & Cu  $\geq$  99.9%
- Lugs shall have marking as per respective size
- Al barrel is fitted by neutral grease and covered by cap

Title: ABMW Bimetallic Lugs with Cu Washer	SHEET 1/1	SCALE Not to Scale
Drawing No: ABMW/01/19		
DRAWN 01/01/2019		
CHECK JV		
APPR. NJG		
ISSUED		
REV		
CUSTOMER		