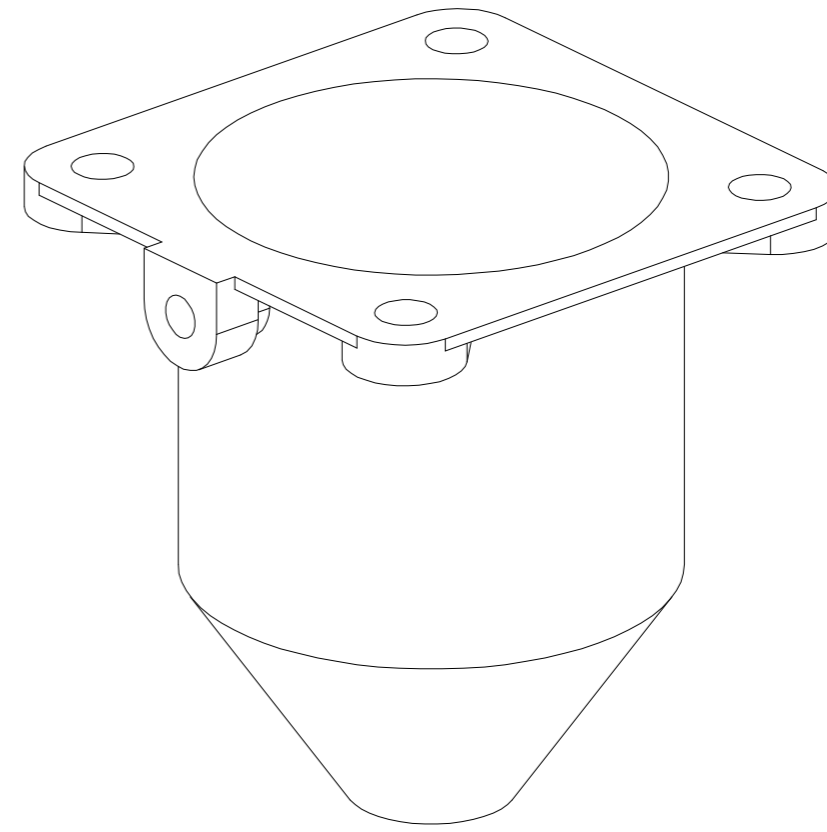
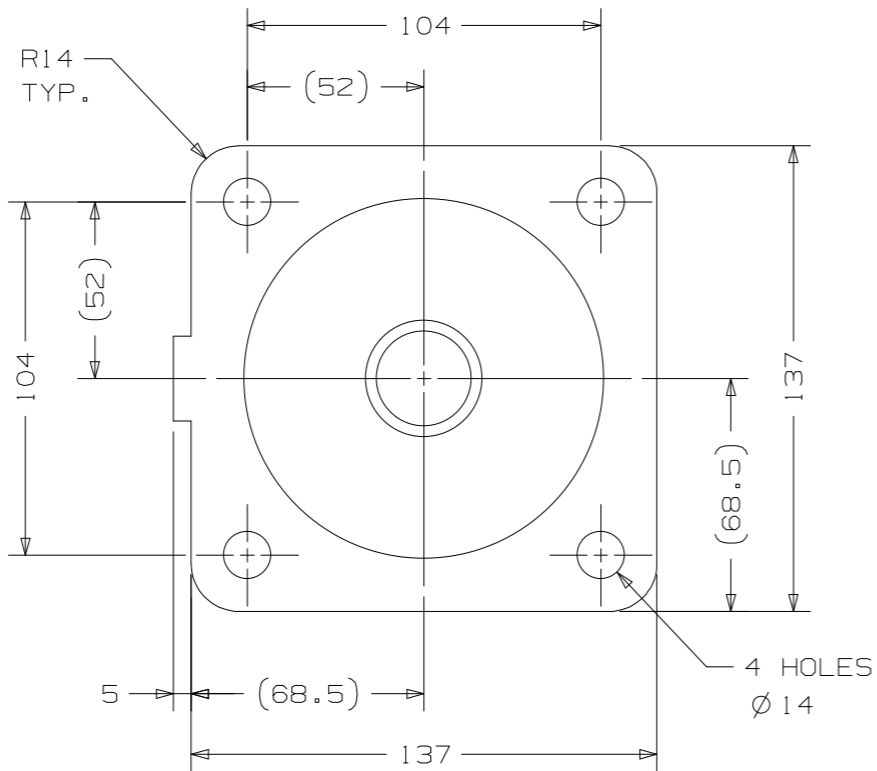
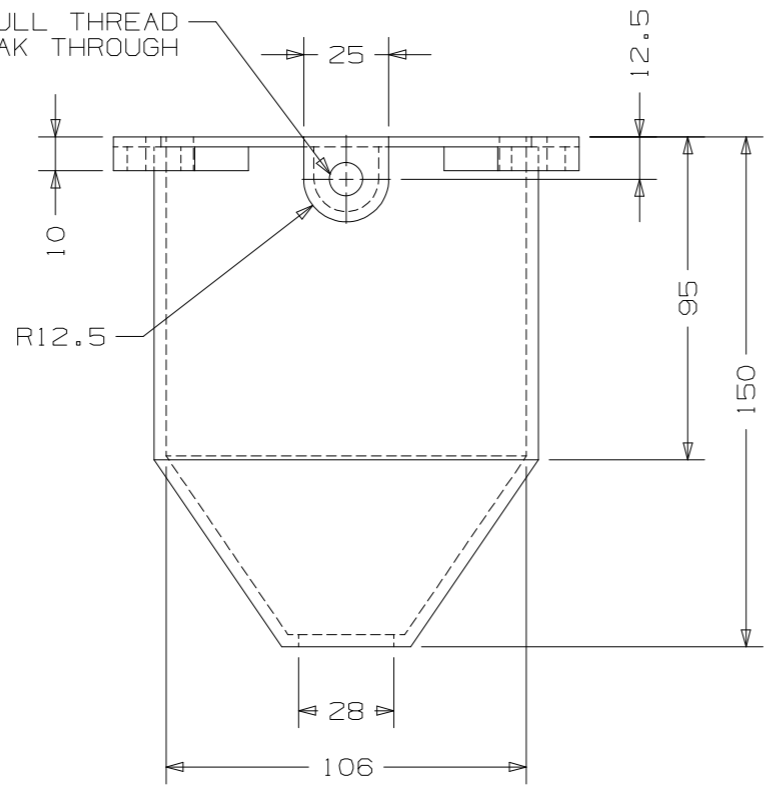



TAP M10 X 10 DEP(MIN.) FULL THREAD
HOLE MUST NOT BREAK THROUGH



ISO VIEW

Material: Brass
Finish: Natural
All dimensions mentioned are in mm. Standard tolerance applicable

Title: 106 Dia BRASS WIPING GLAND	SHEET 1/1	SCALE Not to Scale
Drawing No: AWZ-106D/01/19		
DRAWN 01/01/2019		
CHECK		
APPR. NJG		
ISSUED		
REV		
CUSTOMER		